

Wireless switching/momentary-contact actuator, 2-gang Mini

Order No. : 5425 00

Operating instructions**1 Safety instructions**

Electrical devices may only be mounted and connected by electrically skilled persons.

Serious injuries, fire or property damage possible. Please read and follow manual fully.

Danger of electric shock. Always disconnect before carrying out work on the device or load. In so doing, take all the circuit breakers into account, which support dangerous voltages to the device and or load.

Danger of electric shock. Device is not suitable for disconnection from supply voltage.

Do not use device as a venetian blind actuator. Otherwise the Venetian drive motor may be destroyed.

The radio communication takes place via a non-exclusively available transmission path, and is therefore not suitable for safety-related applications, such as emergency stop and emergency call.

These instructions are an integral part of the product, and must remain with the end customer.

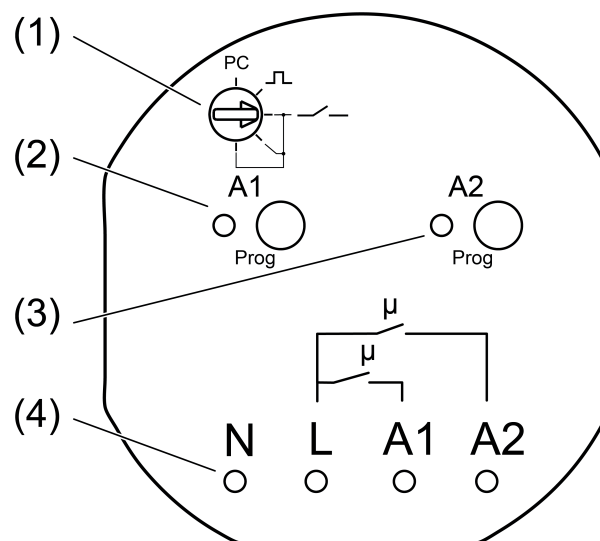
2 Device components

Figure 1: Front view

- (1) Operating mode switch
- (2) **Prog** button and status LED for output 1
- (3) **Prog** button and status LED for output 2
- (4) Measuring points for voltage measurement, terminals rear-mounted

3 Function**Intended use**

- Switching of lighting and motors
- Operation with suitable eNet radio transmitters

- Mounting in appliance box according to DIN 49073 with a suitable cover
- Installation in surface-mounted housing or panel-mounted housing (accessories) for suspended ceilings

Product characteristics

- Operating mode switch for switching/push-button actuator switch-over together for both outputs or parameterisation via eNet server
- Independent switching of two electrical loads
- Status feedback to radio transmitter
- Scene operation possible
- Status indicator via LED

Switching operation:

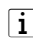
- Switch-on telegram: Device switches on
- Switch-off telegram: Device switches off

Push-button operation:

- Relay contact remains closed as long as ON or OFF telegrams are being received
- The maximum switch-on time is 60 seconds

Can be set with eNet server for each output:

- Flash function
- Run-on time
- Switch-on delay / switch-off delay
- Operation as NO or NC contacts
- Switch-off warning
- Minimum switching repeat time
- Operation locks
- Continuous on, Continuous off

 When operating with the eNet Server, operation and signalling could vary from what is described here.

Supplementary functions with eNet Server:

- Fully encrypted radio transmission (AES-CCM) from eNet Server software version 2.0
- Update of the device software
- Repeater function
- Reading of error memory

Behaviour after mains voltage return

The response after mains voltage return can be configured with the eNet server. Default setting: Off.

4 Operation

Operation is with radio transmitters, please observe the radio transmitter instructions.

5 Information for electrically skilled persons

5.1 Fitting and electrical connection

**DANGER!**

Electrical shock when live parts are touched.

Electrical shocks can be fatal.

Before carrying out work on the device or load, disengage all the corresponding circuit breakers. Cover up live parts in the working environment.

Mounting and connecting actuator

To ensure good transmission quality, keep a sufficient distance from any possible sources of interference, e.g. metallic surfaces, microwave ovens, hi-fi and TV systems, ballasts or transformers.

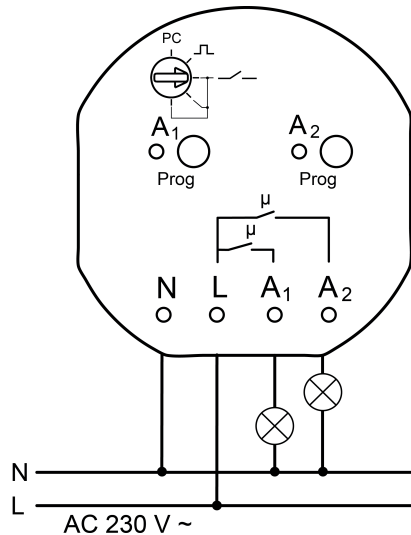


Figure 2: Connection example

- Connect loads as shown in the wiring example (Figure 2).
- Insert the actuator in the appliance box in such a way that the **Prog** button and status LED are visible.

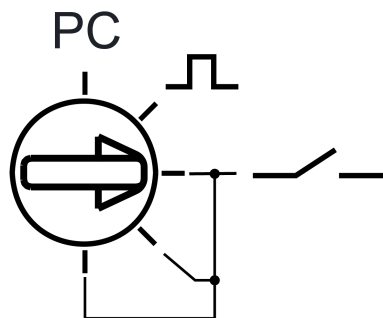


Figure 3: Operating mode switch

Switch position	Function
PC	Operating mode and parameter set with eNet server.*)
⏏	Push-button operation
⏏	Switching operation

*) If the operating mode switch is turned from the position **PC** to another operating mode, the parameters are set to the default setting. The settings made with the eNet Server will be lost.

- Set the operating mode switch.
- Switch on mains voltage.

i The load can be switched by briefly pressing the Prog button.
 Status LED lights up: output switched on
 Status-LED off: output switched off

- Perform commissioning.

- i** In installation positions that are not easily accessible, turn the operating mode switch to position **PC** after commissioning and performing a function test. Subsequent changes to the device settings can thus be carried out with the aid of the eNet Server without involving excessive installation work.
- Mount the cover.

5.2 Commissioning



DANGER!

Electrical shock when live parts are touched.

Electrical shocks can be fatal.

During commissioning, cover the parts carrying voltage on radio transmitters and actuators and in their surrounding area.

- i** The actuator can also be commissioned with eNet Server as an alternative to the commissioning described here.

Connecting output to radio transmitters

Load is switched off.

- Press the **Prog** button for longer than 4 seconds.
The load switches on.
The status LED flashes after 4 seconds and the load switches off. The output is in programming mode for approx. 1 minute.
 - Switch radio transmitter to programming mode (see radio transmitter instructions).
 - Trigger telegram on the radio transmitter.
The status LED of the corresponding output is illuminated for 5 seconds.
The output is connected to the radio transmitter. The actuator and radio transmitter exit the programming mode automatically.
- i** If the status LED of the actuator flashes 3 times at 1-second intervals for approx. 5 seconds, then the programming operation was not successful. All the memory locations in the actuator or radio transmitter are occupied.
- i** All On and All Off buttons of a radio transmitter are connected to the actuator automatically as soon as the first connection to the radio transmitter takes place.
- i** Scene buttons must be connected separately.

Disconnecting connection to a radio transmitter

- Carry out the same steps as when connecting (see Connecting actuator to radio transmitters).
The status LED flashes quickly for 5 seconds. The actuator is disconnected from the radio transmitter. The actuator and radio transmitter exit the programming mode automatically.
- i** If there several connections or scene buttons for a radio transmitter, all connections must be disconnected individually.
- i** All On and All Off buttons of a radio transmitter are disconnected automatically as soon as the last connection of the corresponding output to the radio transmitter is disconnected. Manual disconnection is not possible.

Resetting the output to the factory setting

All connections to radio transmitters are disconnected and parameters are reset to default setting. If the operating mode switch is on **PC**, switching operation is set.

- i** The connections in the radio transmitters are preserved and must be deleted separately.

Load is switched off.

- Press the **Prog** button of the corresponding output for at least 20 seconds.
The load switches on.
The status LED flashes after 4 seconds and the load switches off. The status LED flashes faster after 20 seconds.

- Release **Prog** button and press briefly once again within 10 seconds.
The status LED flashes more slowly for approx. 5 seconds.
The output is reset to default setting.

Resetting the device to the factory setting

- Reset all outputs (see Resetting the output to the default setting).
All the status LEDs flash as soon as the last output is reset. Device is reset to default setting.

6 Appendix

6.1 Technical data

Rated voltage	AC 230 V ~
Mains frequency	50 / 60 Hz
Ambient temperature	-25 ... +70 °C
Switching current at 35 °C	
Ohmic	16 A (AC1)
For switching current >10A connecting cable 2.5mm ²	
Current carrying capacity of device	max. 16 A
Fluorescent lamps	4 AX
Minimum switching current AC	100 mA
Contact type	μ
Standby power	max. 0.5 W
Connected load per output at 35°C	
Incandescent lamps	2300 W
HV halogen lamps	2000 W
Electronic transformers	1500 W
Inductive transformers	1000 VA
HV-LED lamps	typical 500 W
Compact fl lamp.	typical 500 W
Fluorescent lamps, uncompensated	920 VA
Motors	450 VA
Capacitive load	690 VA (560 μF)
Connection	
single stranded	0.75 ... 4 mm ²
Finely stranded with conductor sleeve	0.75 ... 2.5 mm ²
Dimensions Ø×H	53×28 mm
Radio frequency	868.0 ... 868.6 MHz
Transmission capacity	max. 20 mW
Transmitting range in free field	typ. 100 m
Receiver category	2

6.2 Parameter list

The device parameters can be changed with the eNet server:

Device and channels

Parameters	Setting options, Basic setting	Explanations
------------	--------------------------------	--------------

<p>Function</p>	<p>Light, switching, unused Basic setting: Light</p>	<p>Light The channel is integrated for the "Lighting" central function in the eNet SMART HOME app.</p> <p>Switching The channel is not integrated in any central function.</p> <p>Unused The channel is not displayed in the eNet SMART HOME app and is disabled for use in the commissioning interface.</p>
<p>Operating mode</p>	<p>Switching operation Push-button operation Flashing Continuous on Continuous off Basic setting: Switching operation</p>	<p>Switching operation After switch-on, the device remains stable in the "On" state, and stable in the "Off" state after switch-off.</p> <p>Push-button operation The device switches "On" when any channel button of a radio transmitter is pressed and "Off" when the button is released. It is irrelevant whether the "On" or "Off" channel button is pressed.</p> <p>Flashing Switch-on starts flashing and switch-off stops flashing. The default flash frequency is 1 Hz. This frequency is also the maximum flash frequency. The flash frequency can be changed using parameters. The parameter "Switch-off delay" is used for the pulse time and the parameter "Switch-on delay" for the pause time.</p> <p>Continuous on The output switches to continuously "On". All operations of radio transmitters and the Prog button are ignored.</p> <p>Continuous off The output switches to continuously "Off". All operations of radio transmitters and the Prog button are ignored.</p>

Advanced device settings

Parameters	Setting options, Basic setting	Explanations
------------	--------------------------------	--------------

Manual commissioning	On, Off Basic setting: On	Disables manual commissioning for all device channels. In the "Off" setting, the device cannot be reset to the factory setting.
Repeater mode	On, Off Basic setting: Off	In addition to its other functions, the device can be used as a repeater. In the "On" setting, the device repeats all the received telegrams.

Channel settings

Parameters	Setting options, Basic setting	Explanations
Switch-on delay	0 s ... 24 h Basic setting: 0 s	The load switches on after a delay. Repeated switch-on commands restart the delay time. If the load has not yet been switched on due to the delay when a switch-off command comes, then the load will remain off. In Flashing operating mode, the pause time is set using this parameter. Comment: The set times apply to operation using radio transmitters. The relay is switched immediately when the Prog button is pressed.
Switch-off delay	0 s ... 24 h Basic setting: 0 s	The load switches off after a delay. Repeated switch-off commands restart the delay time. If the load has not yet been switched off due to the delay when a switch-on command comes, then the load will remain on. In Flashing operating mode, the pulse times are set using this parameter. Comment: The set times apply to operation using radio transmitters. The relay is switched immediately when the Prog button is pressed.

Run-on time	0 s ... 24 h Basic setting: 0 s	As soon as a run-on time has been entered, the actuator will no longer remain on permanently, but only for the length of the run-on time. The run-on time is restarted if actuation is repeated. This parameter is directly connected to the "Manual switch-off of run-on time" parameter. Comment: The set times apply to operation using radio transmitters. The relay is switched immediately when the Prog button is pressed.
Manual switch-off of the run-on time	On, Off Basic setting: Off	Allows manual switch-off of a running run-on time. If the parameter is switched off, then a switch-off command will also switch the actuator on. This parameter is directly connected to the "Run-on time" parameter.
Operating hours	0...65535 Basic setting: Current value	The time is counted during which the load is physically switched on (relay contact closed). This parameter can be reset to "0", for example after exchanging the load. The Reset button is used to reset the meter to "0". The device must be programmed to apply the change.

Extended channel settings

Parameters	Setting options, Basic setting	Explanations
Operating mode	Switching operation Push-button operation Flashing Continuous on Continuous off Basic setting: Switching operation	See Device and channels.
Manual commissioning	On, Off Basic setting: On	Blocks manual commissioning for the device channel. In the "Off" setting, the device cannot be reset to the factory setting.
Local Operation	On, Off Basic setting: On	Blocks the output for operation using the Prog button.
Behaviour on voltage return	On Off Last value Configured brightness Basic setting: Off	Defines the behaviour of the output after voltage return.

Timer behaviour, voltage return	Off Restart Basic setting: Off	Specifies whether the timers for switch-on delay, switch-off delay and run-on time remain off after voltage return or whether they restart. Directly connected to the parameters "Switch-on delay", "Switch-off delay" and "Run-on time".
Behaviour after the end of the disabling function	On Off no change Last value Basic setting: No change	Behaviour of the output when a block is removed.
Manual saving of the scene values	On, Off Basic setting: On	Disables the saving of the current actuator state (On/Off) as scene value in an actuator for a command via a transmitter.
Switch-off warning	On, Off Basic setting: Off	If the switch-off warning is active, the light is not switched off directly. The light goes off 30, 15 and 6 seconds before permanent switch-off. During the switch-off warning, a switch-on telegram effects direct switch-on. It is not possible to terminate the time using a switch-off telegram.
Priority, lock-out protection	0...4 Basic setting: 1	Specifies the priority for recalling and removing a scene of type Lock-out protection for the channel.
Activate lock-out protection switching state	On, Off Basic setting: Off	Defines the behaviour of the output on activating the lock-out protection.
Deactivate lock-out protection switching state	On, Off Basic setting: Off	Defines the behaviour of the output on deactivating the lock-out protection. Only visible when the priority for the lock-out protection is 0.
Priority, restraint	0...4 Basic setting: 2	Specifies the priority for recalling and removing a scene of type Restraint for the channel.
Activate forced operation switching state	On, Off Basic setting: On	Defines the behaviour of the output on activating the forced operation.
Deactivate forced operation switching state	On, Off Basic setting: Off	Defines the behaviour of the output on deactivating the forced operation. Only visible when the priority for the forced operation is 0.
Priority, wind alarm	0...4 Basic setting: 3	Specifies the priority for recalling and removing a scene of type Wind alarm for the channel.

Activate wind alarm switching state	On, Off Basic setting: Off	Defines the behaviour of the output on activating the wind alarm.
Deactivate wind alarm switching state	On, Off Basic setting: Off	Defines the behaviour of the output on deactivating the wind alarm. Only visible when the priority for the wind alarm is 0.
Priority, sun protection	0...4 Basic setting: 0	Specifies the priority for recalling and removing a scene of type Sun protection for the channel.
Activate sun protection switching state	On, Off Basic setting: On	Defines the behaviour of the output on deactivating the sun protection. Only visible when the priority for the sun protection is 0.
Deactivate sun protection switching state	On, Off Basic setting: Off	Defines the behaviour of the output on deactivating the sun protection. Only visible when the priority for the sun protection is 0.
Priority, twilight	0...4 Basic setting: 0	Specifies the priority for recalling and removing a scene of type Twilight for the channel.
Activate twilight switching state	On, Off Basic setting: On	Defines the behaviour of the output on activating the twilight function.
Deactivate twilight switching state	On, Off Basic setting: Off	Defines the behaviour of the output on deactivating the twilight function. Only visible when the priority for the twilight function is 0.
Switch off brightness overshoot	On, Off Basic setting: On	Allows automatic switch-off according to the brightness. If the parameter is On, then the light controller switches off automatically when the brightness setpoint is greatly exceeded. This parameter is not yet active, as a light controller has not yet been implemented.

Switch on brightness undershoot	On, Off Basic setting: Off	Allows automatic switch-on according to the brightness. If the parameter is On, then the light controller switches on automatically when the brightness setpoint is greatly undershot. We recommend only using the parameter in connection with the parameter "Switch-off on brightness overshoot". This parameter is not yet active, as a light controller has not yet been implemented.
Invert switching output	On, Off Basic setting: Off	Inverts the switching output from NO contact function (factory setting) to NC contact function
Minimum switching repeat time	100 ms ... 10 sec Basic setting: 100 ms	Limits the switching speed of the device by increasing the value, in order to protect the load, for example. Only when the set time has elapsed is switching possible again. The last command during the blocking time is executed after a delay. The switching repeat time starts after each switching operation.

Information window

During channel selection in the Information window, the following settings can be made or values displayed.

Display value	Explanations
Load state	The load can be switched on or off.
Restraint	Display of forced position status.
Operating hours	Display of the operating hours since the last restart in the Settings window Einstellungen .

6.3 Accessories

Installation adapter Mini housing
eNet Server

Order No. 5429 00
Order No. 5301 00

6.4 Conformity

Gira Giersiepen GmbH & Co. KG hereby declares that the radio system type
Order No. 5425 00

corresponds to the directive 2014/53/EU. You can find the full article number on the device. The complete text of the EU Declaration of Conformity is available under the Internet address:
www.gira.de/konformitaet

6.5 Warranty

The warranty follows about the specialty store in between the legal framework as provided for by law

Please submit or send faulty devices postage paid together with an error description to your responsible salesperson (specialist trade/installation company/electrical specialist trade). They will forward the devices to the Gira Service Center.

Gira
Giersiepen GmbH & Co. KG
Elektro-Installations-
Systeme

Industriegebiet Mermbach
Dahlienstraße
42477 Radevormwald

Postfach 12 20
42461 Radevormwald

Deutschland

Tel +49(0)21 95 - 602-0
Fax +49(0)21 95 - 602-191

www.gira.de
info@gira.de