

Wireless repeater  
5232 16

10869903 34/22



# GIRA

## General safety instructions



Electrical devices may only be installed and connected by a qualified electrician.

Improper installation may result in serious injury, e.g. from electrical shock or fire, as well as equipment damage.

This product contains a battery. Keep new and used batteries away from children.

These instructions are part of the product and must remain with the end customer.



### Observe the commissioning order

- Commissioning order for the security system Alarm Connect:
1. Mount the alarm control unit and put it into commission (battery and 230 V connection).
  2. Configure the project in the GPA and transfer it to the alarm control unit memory.
  3. Install all other devices, put into commission (insert batteries, etc.) and check the wireless connection to the alarm control unit.
  4. After successful verification, set the alarm control unit to operation mode. Failure to observe the commissioning sequence will render commissioning of the safety system unsuccessful.

## Product features

The wireless repeater is used to amplify wireless signals in the Alarm Connect security system.

A maximum of one wireless repeater may be installed.



### Sticker with Hardware ID

The device comes with two stickers with the Hardware ID. You can use one of the two stickers for your site map and simply scan the Hardware ID with an appropriate scanner during configuration in GPA.

## Included in delivery

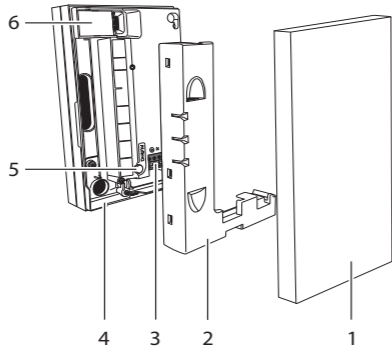
- 1 x wireless repeater
- 1 x battery
- 1 x operating instructions
- 2 x stickers with Hardware ID

Ensure the package contents are complete and undamaged. Please see "Warranty" in case of any defects.

## Required accessories

- Alarm control unit Connect (item no. 5201 00)
- Wireless operating unit (item no. 5212 03)

## Device description



- 1 Upper housing section
- 2 Cover: Connection terminals
- 3 Port: AC 230 V
- 4 Lower housing section
- 5 Pairing button
- 6 Battery compartment

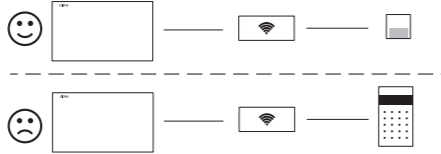
## Selecting the installation site



### Installation note

Note the following:

- Mount horizontally.
- Leave an area of at least 50 cm between the wireless repeater and ceilings, metal objects and other equipment.
- A maximum of one wireless repeater may be used in one Alarm Connect security system.
- The forwarding of signals between the Connect alarm centre and the wireless control unit is not possible.



## Mounting the wireless repeater



### VdS-compliant mounting

Only mounting with wall plugs and screws is VdS-compliant.



### Wall installation

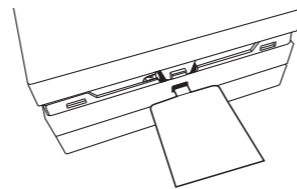
Make sure the wall surface is level. In the case of an uneven wall surface, there is the risk that the lower housing section will move during installation. This means that the upper housing section cannot be plugged in properly.



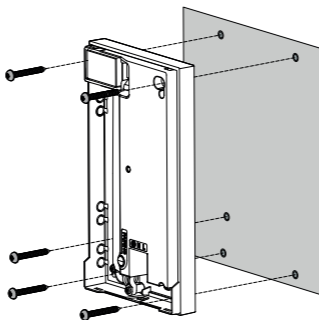
### Socket outlet for power supply

Be sure that the wireless repeater is mounted near a socket outlet that is easily accessible. The socket outlet should have its own fuse circuit.

1. Switch off the power supply.
2. Detach the upper housing section from the lower housing section using the unlocking tool using the unlocking tool (included with the alarm control unit Connect).



3. Mark the drilling holes, drill and insert the wall plugs (Fischer dowels UX 5 x 30, included). The disconnecting surface of the tamper contact must be secured with a screw.
4. Mount the wireless repeater.

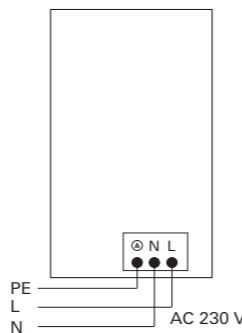


5. Wire the wireless repeater to the mains voltage.



### Connection - Mains voltage

Use power lines with a cable cross-section of 1.5 to 2.5 mm<sup>2</sup>. The power line should comply with national electrical requirements.



## Commissioning the wireless repeater



### Conditions for device commissioning

The project must first be successfully commissioned in GPA (see "Commissioning order").



### Gira Project Assistant (GPA)

The security system alarm Connect is configured via GPA. The following settings are made in GPA for the wireless repeater:

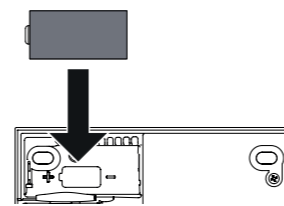
- Enter device name.
- Assign device ID.
- Display security area.
- Put the project into commission.

1. Configure the project in the GPA and put it into commission.
2. Insert battery (**observe polarity!**) and wait for initialisation phase. The wireless repeater is automatically detected by the wireless alarm control unit Connect.



### Batteries inserted too early

If the units have been activated before start-up, they are in "sleep mode" and can no longer connect to the alarm centre. In this case, the batteries must be removed and reinserted.



3. Attach the upper housing section to the lower section.
4. Switch on power supply.

## Status LED

Behaviour	Meaning
Lights up red continuously	Tamper alarm
Alternates quickly between green and red	Initialisation phase
Blinks red, quickly and for a max. of 10 s	Error initialisation phase
Blinks green, quickly and for a max. of 5 s	Registration phase
Lights up green for approx. 3 s, then turns off	Registration successful
Blinks red in short intervals for a max. of 10 s error	Registration error
Blinks green, quickly every 2 s and in cases of a status change, 1x quick red flash	Test run successful

## Stand-by mode

After commissioning of the device, communication must take place between the device and the alarm control unit Connect within 7 min. After 7 min the device automatically switches to stand-by mode. If the device does not receive a signal from the alarm control unit Connect within the 7 min period, the stand-by mode can not be ended automatically.

The device must then be reactivated (remove and replace the battery) so that

communication can be established with the alarm control unit Connect. Always observe the commissioning order.

## Check the signal quality of the wireless connection



### Check the wireless connection to the alarm control unit

Check the signal quality of the wireless connection between the alarm control unit Connect and the device.

1. Activate the test mode in the GPA under [security system] -> [Diagnosis and test].
2. Check the signal quality. How the repeater behaves in test mode still needs to be clarified.
  - Bad signal quality:** Reposition the wireless repeater and recheck the signal quality.
  - Good signal quality:** End test mode.

## Behaviour in case of mains failure

In the event of a mains voltage failure, the internal back-up battery will supply the wireless repeater with power. When the mains voltage returns, the back-up battery does not charge back up on its own.

## Replacing the battery



### WARNING

**Explosion hazard in case of improper handling of batteries.**

Do not throw batteries into the fire, and do not recharge batteries, as this may result in a risk of explosion.



### WARNING

**Danger of acid burns from bursting or leaking batteries.**

Always change an empty battery for a new one of the same type.



### Replacing the battery

Replace the battery as soon as the "low battery" display appears in the Display of the wireless operating unit.

1. Detach the upper housing section from the lower housing section using the unlocking tool using the unlocking tool (included with the alarm control unit Connect). The tamper alarm is triggered.
2. Open the battery compartment and replace the battery with a new battery of the same type (**Observe polarity!**).
3. Close the battery compartment and place the upper housing section on the lower section again.
4. Acknowledge the tamper alarm on the wireless operating unit.



Remove empty batteries immediately and dispose of them in an environmentally-friendly way. Do not dispose of batteries with household waste. Local authorities provide information about environmentally-sound disposal. The end consumer is legally required to return used batteries in accordance with legislative requirements.

## Technical data

<b>Power supply</b>	
External:	Type A: AC 230 V, 50/60 Hz
Internal (additional):	Type B: Internal back-up battery
<b>Back-up battery</b>	
Type:	CR 123A
Capacity:	1.4 A
Voltage:	3 V
Quantity:	1
<b>Battery life</b>	
With battery operation:	approx. 1 day
With 12 V supply:	approx. 5 years
<b>Wireless</b>	
Frequency band:	868.0 - 868.6 MHz 868.7 - 869.2 MHz
Transmission capacity:	max. 10 mW
Range:	100 m (free field)
<b>Device – general</b>	
Optical display:	Status LED (red/green)
Ambient temperature:	-10°C to +55°C
Storage temperature:	-35°C to +70°C
Humidity:	93 %
Protection class:	2
Environmental class:	II
Compliant with:	EN 50131 Level 2 EN 62368-1 EN 301489-1 EN 301489-3 EN 61000-6-3 EN 50130-4 EN 300220-1 EN 300220-2 EN 50130-5 EN 50131-1 EN 50131-3 EN 50131-6 EN 50131-5-3 Telefication B.V.
Certification body:	
Dimensions (H x W x D):	55 x 126 x 13 mm

## Conformity

Gira Giersiepen GmbH & Co. KG hereby declares that the wireless system type item no. 5232 16 conforms to Directive 2014/53/ EU. The complete item number can be found on the device. The complete text of the EU Declaration of Conformity can be found either in the download area ([gira.de/Konformitaet](http://gira.de/Konformitaet)), or directly via the online catalogue at the product ([katalog.gira.de](http://katalog.gira.de)).

## Disposal

---



The Gira wireless repeater is an electric or electronic device in the sense of EU Directive 2012/19/EU.

High-quality materials and components were used in developing and manufacturing the device. These materials and components can be reused and recycled. Please consult the regulations governing the separate collection of electric/electronic waste applicable for your country. These devices may not be disposed of with household waste. The correct disposal of waste can prevent possible negative consequences to the environment and humans.

## Warranty

---

The warranty is provided in accordance with statutory requirements via the retailer. Please submit or send faulty devices postage paid and with an error description to your sales representative (retailer / installation company / electrical contractor). The salesperson will forward the devices to the Gira Service Centre.

## Gira

---

Gira  
Giersiepen GmbH & Co KG  
Electrical installation  
systems

P.O. Box 1220  
42461 Radevormwald  
Phone: +49 2195 602 - 0  
Fax: +49 2195 602 - 191  
info@gira.de  
www.gira.de