

KNX module for
smoke alarm device
Dual/VdS and Q-Label
2343 00

GIRA

Gira
Giersiepen GmbH & Co. KG
Electrical installation systems
Industriegebiet Merzbach
Dahlienstraße
42477 Radevormwald

P.O. Box 1220
42461 Radevormwald
Phone +49 (0) 2195 - 602 - 0
Fax +49 (0) 2195 - 602 - 191

www.gira.de
info@gira.de

10860398 28/13

General

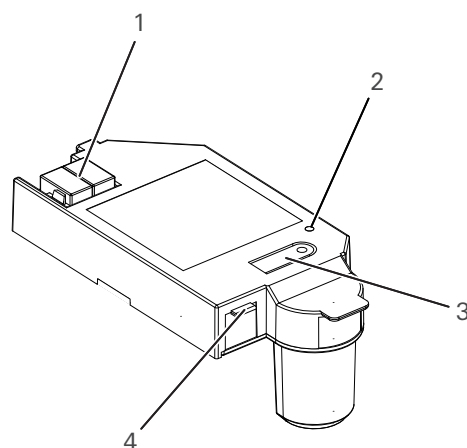
These instructions describe the installation of the KNX module in the smoke alarm device Dual/VdS and Q-Label. The instructions are intended for electrical installers who have completed a KNX training course or comparable continuing education. Please see www.gira.de for information regarding trainings offered by Gira.

Read this document thoroughly and retain it for future use.

Performance specifications

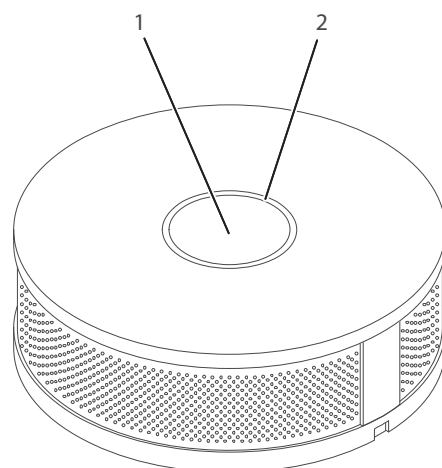
The KNX module for the smoke alarm device Dual/VdS and Q-Label is intended to connect the smoke alarm device Dual/VdS and Q-Label to the KNX system.

Device description



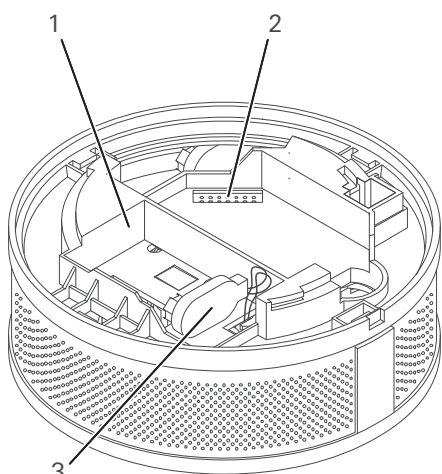
- 1: KNX connection terminals
- 2: Programming LED
- 3: Programming button
- 4: Latch

Front of the smoke alarm device:



- 1: Function button
- 2: Ring indicator

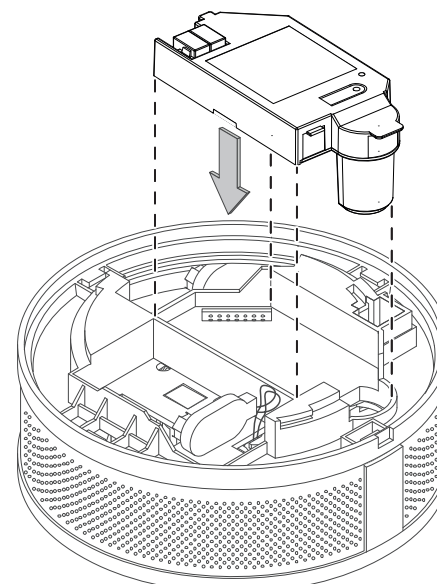
Rear of the smoke alarm device:



- 1: Battery compartment
- 2: Module interface
- 3: Battery connection

Inserting the KNX module

1. Insert the connection pins of the KNX module into the module interface of the smoke alarm device until the KNX module engages.



2. Connect the 9 V monoblock battery to the battery connection and insert the battery into the battery compartment.
3. Connect the KNX module to the KNX cable.
4. Fasten the smoke alarm device to the mounting plate or 230 V base by rotating the smoke alarm device clockwise.

Note

The alarm device cannot be latched into the mounting plate or base when no battery is inserted.

5. Perform a function test.

Removing the module

1. Remove the smoke alarm device from the mounting plate or 230 V base by rotating the smoke alarm device anticlockwise.
2. Disconnect any existing wiring.
3. Remove the 9 V monoblock battery from the battery compartment and disconnect the battery connection.
4. Extract the old module from the smoke alarm device.

Note

The latch in the smoke alarm device locks the module in place.

Move the smoke alarm device slightly to the side until the latch releases.

Performing a function test

Caution: Noise!

A loud warning signal is emitted during the function test. Observe a minimum distance of 50 cm to the smoke alarm device.

1. Press and hold the function button on the smoke alarm device until an alarm is reported.
 - The correct functioning of the smoke alarm device is indicated if a signal tone is emitted after approx. 4 s and the ring indicator flashes.
 - If a signal is not emitted although the connection is correct and the battery is functional, the smoke alarm device is defective and has to be replaced.
2. End the function test by repeatedly pressing the function button.

Technical data

Power supply of the KNX module: via the KNX cable
 Temperature range: -5 °C to +50 °C
 Protection class: IP 20

Warranty

The warranty is provided in accordance with statutory requirements via the specialist trade.

Please submit or send faulty devices postage paid together with an error description to your responsible salesperson (specialist trade/ installation company/specialist electrical trade).

They will forward the devices to the Gira Service Center.