

Control device LEDOTRON
Order No. : 2290 00**Operating instructions****1 Safety instructions**

Electrical equipment may only be installed and fitted by electrically skilled persons. Serious injuries, fire or property damage possible. Please read and follow manual fully. Danger of electric shock. Device is not suitable for disconnection from supply voltage. Danger of electric shock. Always disconnect before carrying out work on the device or load. At the same time, take into account all circuit breakers that supply dangerous voltage to the device or load.

These instructions are an integral part of the product, and must remain with the end customer.

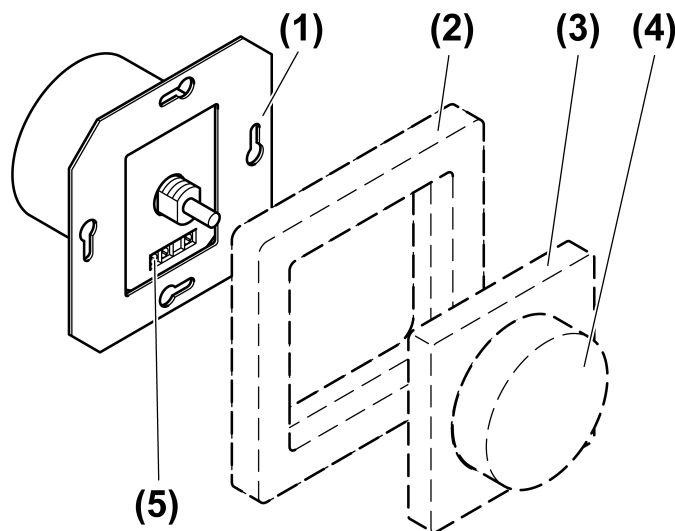
2 Device components

Figure 1: Device components

- (1) Control unit
- (2) Frame
- (3) Central plate
- (4) Control button
- (5) Screw terminals

3 Function**Intended use**

- Switching and dimming of Ledotron lamps
- Switching incandescent lamps
- Installation in appliance box according to DIN 49073

Product characteristics

- Ledotron is a digital communication standard for switching and dimming lamps
- Electronic short-circuit protection with permanent switch-off after 100 milliseconds
- Electronic over-temperature protection
- Changeover switch possible in combination with two dimmers

- i** Only limited function, or no function at all, will be possible if non-Ledotron lamps are connected. No device defects or hazards arise.

4 Operation

Switch light

- Press the control button.

Adjust the brightness

Light is switched on.

- Turn the control button in the clockwise direction.
The light gets brighter up to maximum brightness.
- Turn the control button in the anti-clockwise direction.
Light gets darker to minimum brightness.

5 Information for electrically skilled persons

5.1 Fitting and electrical connection



DANGER!

Electrical shock when live parts are touched.

Electrical shocks can be fatal.

Before carrying out work on the device or load, disengage all the corresponding circuit breakers. Cover up live parts in the working environment.

Connecting and mounting the control unit.

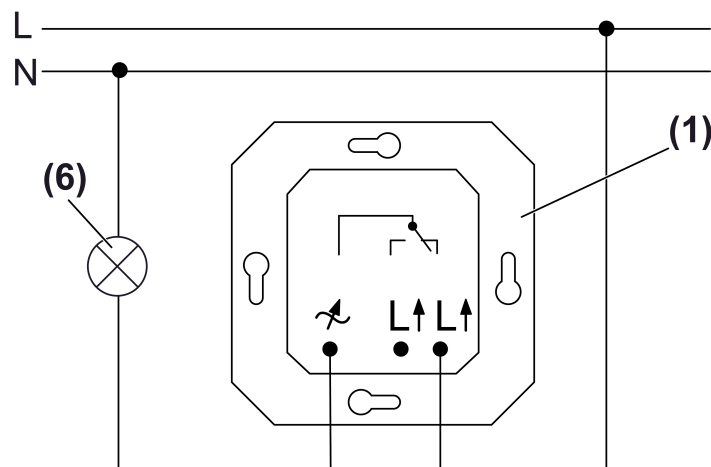


Figure 2: Connection diagram

- i** Connect 600 Watt HV LED lamps or compact fluorescent lamps at most per 16 ampere circuit breaker.
- Connect control unit (1) and lamp (6) according to connection diagram (Figure 2).
 - Install the control unit in the appliance box.
 - Attach the frame and the central plate.
 - Attach the control button.

Connection in changeover switch

i No changeover switch possible with two control units.

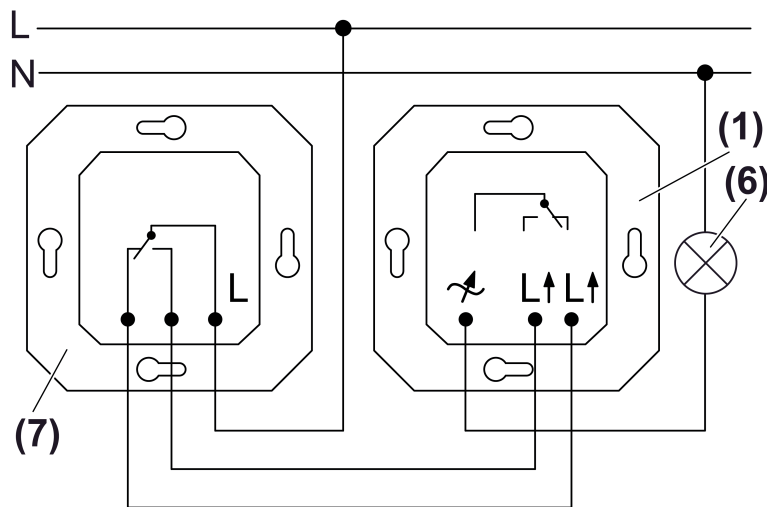


Figure 3: Changeover switch

- Connect the control unit (1), changeover switch (7) and lamp (6) according to the connection diagram (Figure 3).

6 Appendix

6.1 Technical data

Rated voltage	AC 230 V ~
Mains frequency	50 / 60 Hz
Ambient temperature	+5 ... +35 °C
Contact type	μ
Connected load	
Ledotron lamps	3 ... 200 W
Incandescent lamps	60 ... 210 W
Number of Ledotron lamps	1 ... 25
Connection	
single stranded	0.5 ... 2.5 mm ²
finely stranded without conductor sleeve	0.34 ... 4 mm ²
Finely stranded with conductor sleeve	0.14 ... 2.5 mm ²
Total length power cable	max. 100 m



This icon identifies all devices in the Ledotron system.

6.2 Troubleshooting

Control unit does not switch on.

Incorrect load connected.

Connect a Ledotron lamp or an incandescent lamp.

The control unit switches the load off and cannot be switched on again.

Short-circuit protection has tripped.

Eliminate short-circuit.

When the short circuit has been eliminated, switch the control unit back on by pressing the control knob twice.

- i** Short-circuit protection is not based on a conventional fuse, no metallic separation of the operational current.

Overheating protection has tripped.

Disconnect the control unit from the mains supply. Let the control unit cool down for approx. 15 minutes.

Check the installation situation.

Reduce the connected load.

Switch circuit breakers and control unit on again.

6.3 Accessories

Information regarding suitable Ledotron lamps can be found on our website.

6.4 Warranty

The warranty is provided in accordance with statutory requirements via the specialist trade.

Please submit or send faulty devices postage paid together with an error description to your responsible salesperson (specialist trade/installation company/electrical specialist trade). They will forward the devices to the Gira Service Center.

Gira
Giersiepen GmbH & Co. KG
Elektro-Installations-
Systeme

Industriegebiet Mermbach
Dahlienstraße
42477 Radevormwald

Postfach 12 20
42461 Radevormwald

Deutschland

Tel +49(0)21 95 - 602-0
Fax +49(0)21 95 - 602-191

www.gira.de
info@gira.de