

Push button sensor 3 Plus 2-gang F100

Order No. : 2042 xx

Push button sensor 3 Plus 3-gang (1+2) F100

Order No. : 2043 xx

Push button sensor 3 Plus 6-gang (2+4) F100

Order No. : 2046 xx

Operating instructions**1 Safety instructions**

Electrical equipment may only be installed and fitted by electrically skilled persons.

Failure to observe the instructions may cause damage to the device and result in fire and other hazards.

These instructions are an integral part of the product, and must remain with the end customer.

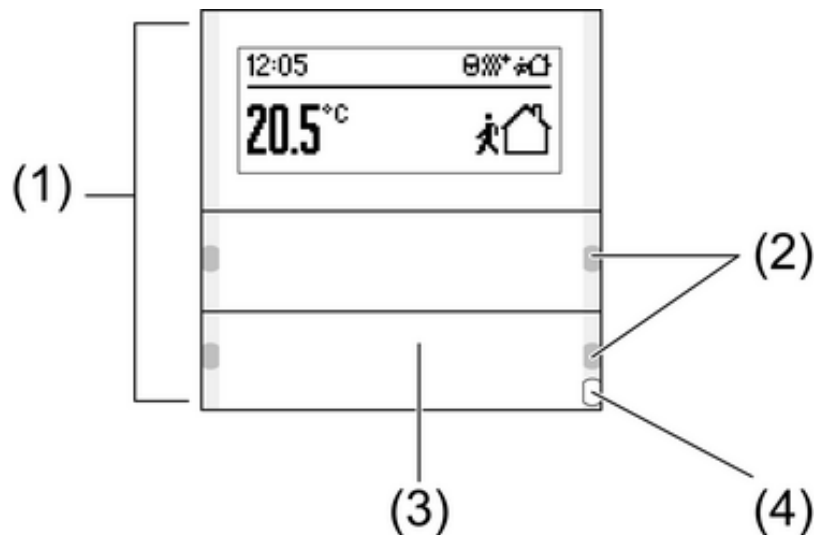
2 Device components

Figure 1

- (1) Operating rocker
- (2) Status LED
- (3) Inscription panel
- (4) Operation LED

3 Function**System information**

This device is a product of the KNX system and complies with the KNX directives. Detailed technical knowledge obtained in KNX training courses is a prerequisite to proper understanding.

The function of this device depends upon the software. Detailed information on loadable software and attainable functionality as well as the software itself can be obtained from the manufacturer's product database. Planning, installation and commissioning of the device are carried out with the aid of KNX-certified software. The latest versions of product database and the technical descriptions are available on our website.

Intended use

- Operation of loads, e.g. light on/off, dimming, blinds up/down, brightness values, temperatures, calling up and saving light scenes, etc.
- Measurement and feedback control of the room temperature
- Installation on bus coupling unit 3 in appliance box to DIN 49073

Product characteristics

- The pushbutton functions switching, dimming, controlling blinds, valuator, calling up moods, etc.
- Three-colour status LED per control surface, which can be switched together or separately per rocker switch according to the equipment and programming
- Indication of values and texts
- Integrated room temperature sensor
- Room temperature control with setpoint value specification
- Integrated heating timer
- Display of room and setpoint temperature
- Display of outdoor temperature – with external sensor, e.g. weather station
- Operating LED as orientation light


4 Operation**Operating a function or load**


Depending on the programming, a control rocker can have up to three functions assigned to it – left, right, entire surface. Operation depends on the specific function.


- Switch: Short press on button.
- Dim: Long press on the button. The dimming process ends when the button is released.
- Move Venetian blind: Long press on button.
- Stop or adjust Venetian blind: Short press on button.
- Call up light scene: Short press on button.
- Save light scene: Long press on button.
- Set value, e.g. brightness or temperature setpoint: Short press on button.

Display symbols and operating modes

The device compares the current room temperature with the setpoint temperature and controls heating or cooling devices according to the current demand. The setpoint temperature depends on the current operating mode and can be changed by the user, depending on the programming. The operating modes and the current controller status are shown in the display.


 Operating mode Comfort

 Operating mode Standby

 Operating mode Night


 Operating mode Frost/heat protection

 Comfort extension

 Room temperature setpoint manually shifted


 Dew point. Controller disabled

 Controller operation disabled.

 Pushbutton sensor disabled.

 Fan controller with fan level display **Auto/Man.**: Automatic or manual fan control.


 Heating mode

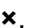
 Cooling mode

 Heating timer is active

! Warning message

The function of the display buttons is visible in the display in each case.

 , **OK** Apply setting, jump to following menu

 , **✕** Abort, exit menu


- ▲, ▼ Move up/down in the list
- <, > Move to the left/right in the list
- +, - Increase/reduce setting

i The display changes for individual operation steps. The system returns to the basic display automatically after approx. 15 seconds after the last operation or when any other button is pressed.

Changing the room temperature

For short-term manual modification of the setpoint temperature.

- Press button to the right or left next to the display.
- Acknowledge display "setpoint" with ✓.
- Increase or reduce the setpoint temperature with – or +.
- Depending on the programming: Accept setting with **OK**.

The  icon in the display shows that the setpoint temperature was adjusted.

With appropriate programming, manual changes to the setpoint temperature are cancelled by changing the operating mode.

Settings menu.

In the "Settings" menu, the following menu items are available in sequence. Some items are not visible, depending on the programming of the device.

- Fan controller
- Switch-over of the operating mode
- Setting setpoint temperatures
- Setting the heating timer
- Deleting the heating timer
- Set display contrast

Opening and operating the Settings menu

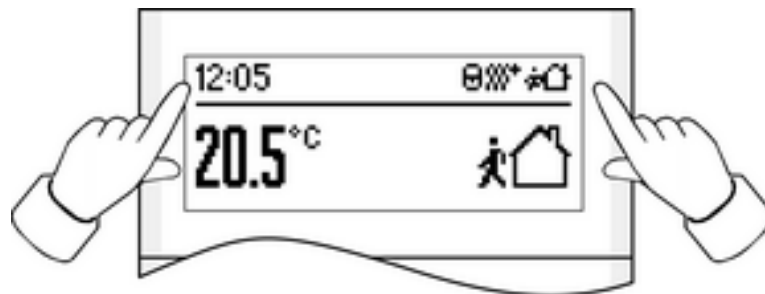


Figure 2

- Press both buttons next to the display simultaneously (Figure 2).
- Confirm display "Settings" with ✓.
The "Settings" menu is displayed.
- Select desired menu item with ▲ or ▼ and confirm with **OK**.

Heating timer: set switching time

The heating timer selects the operating mode of the room thermostat independently of the day of the week and time – and thus the setpoint temperature of the room. A total of 28 program slots are available for switching times.

- Open menu "Settings", select "Set heating timer" and press **OK**.
The display shows the first program slot.
- Select program slot with ▲/▼ and press **OK**.
- Set hours and press **OK**.
- Set minutes and press **OK**.

- Select week Mon...Son, Mon...Fri, weekend Sat...Son or an individual weekday and press **OK**.
- Select operating mode for the switching time and press **OK**.
For the next 15 seconds the display summarises the settings for the selected program slot.
- Confirm with **OK**.
- ❗ After 15 seconds elapse – or when any other button is pressed – the setting procedure is aborted without saving.

Heating timer: deleting the switching time

- Open menu "Settings", select "Delete heating timer" and press **OK**.
The display shows the first program slot.
- Select the program slot to be deleted with ▲/▼ and press **OK**.
- If you really want to delete the program slot, then press ✓ once again.
- If you do not want to delete the program slot, then press ✕ or any other button, or wait for approx. 15 seconds.

5 Information for electrically skilled persons

5.1 Fitting and electrical connection



DANGER!

Electrical shock on contact with live parts in the installation environment.

Electrical shocks can be fatal.

Before working on the device, disconnect the power supply and cover up live parts in the working environment.

Mounting and connecting the device

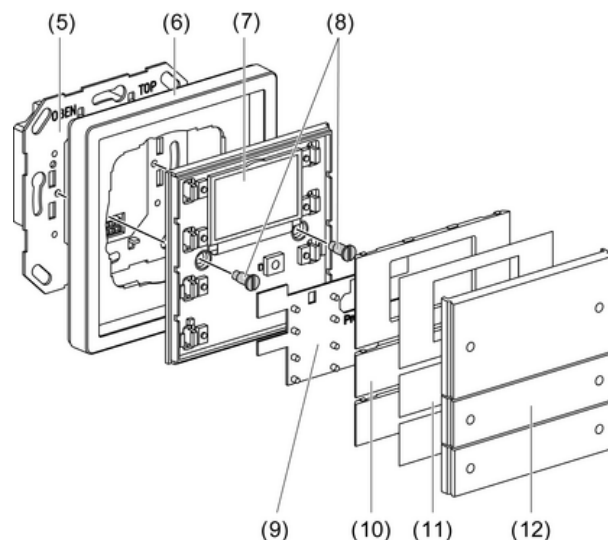


Figure 3

- (5) Bus coupler 3
- (6) Frame
- (7) Push button sensor
- (8) Locking screws
- (9) ESD protection mat
- (10) Rocker support

- (11) Inscription panel
- (12) Rocker cover

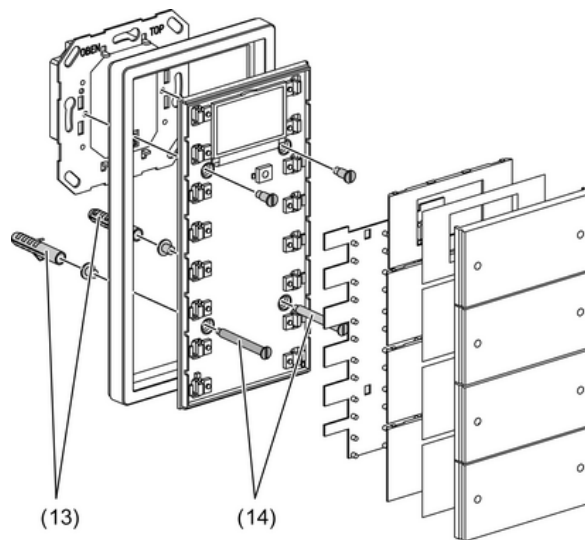


Figure 4

- (13) Anchor
- (14) Fastening screws

The bus coupler 3 is connected to the bus and mounted in an appliance box.

- i** Use only bus coupler 3 – without a programming button. It is not possible to combine it with other bus couplers.

Mount the double-height push button sensors on two appliance boxes with a second support ring (see chapter 6.2. Accessories). For mounting on an appliance box, use the enclosed screw/anchor set.

- Carefully remove the rocker support (10) and the rocker covers (12) from the push button sensor (7).
- Attach the frame (6) to the bus coupler (5).
- Carefully attach the push button sensor (7) to the bus coupler (5).
- Screw the push button sensor to the support ring of the bus coupler module. To do this, use the locking screws (8) provided.
- Screw the double-height push button sensors to the lower support ring or the anchors (13). Use the screws (14) provided.
- If possible load the physical address into the device before final mounting (see chapter 5.2. Commissioning).
- If necessary, label the inscription signs (11).
- Lock the rocker support (10), inscription signs (11) and rocker covers (12) onto the push button sensor.

5.2 Commissioning

Loading the physical address and application software

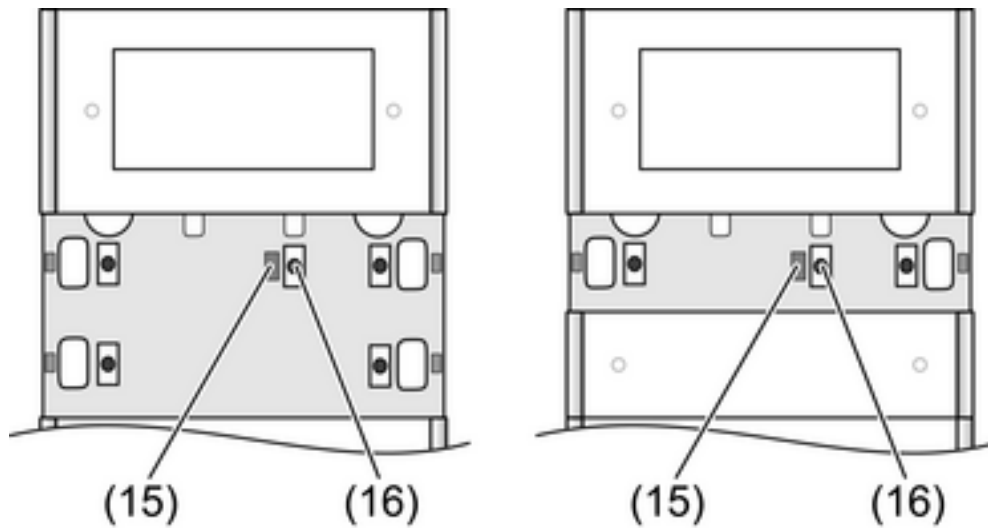


Figure 5

(15) Programming LED

(16) Programming button

The programming button and LED are located under the rocker covers (Figure 5).

The rocker cover (12) and rocker support (10) over the programming button are dismantled.

i If the device does not receive any application software, or the wrong application software, then the operation LED (4) flashes.

- Press the programming button (16).
The programming LED (15) lights up.
- Assign physical address.
The programming LED goes out.
- Load the application software into the device.
- Mount the rocker support (10), inscription panel (11) and rocker cover (12).

6 Appendix

6.1 Technical data

KNX medium	TP 1
Commissioning mode	S-mode
Rated voltage	DC 21 ... 32 V SELV (Via bus coupler 3)
Power consumption	max. 420 mW (Via bus coupler 3)
Connection mode	10 pole male connector strip
Protection class	III
Ambient temperature	-5 ... +45 °C
Storage/transport temperature	-20 ... +70 °C

6.2 Accessories

Bus coupler 3	Order No. 2008 00
Bus coupler 3 external sensor	Order No. 2009 00
Remote sensor	Order No. 1493 00
Second support ring	Order No. 1127 00
Inscription sheet (21x)	Order No. 2872 ..
Inscription sheet (48x)	Order No. 2874 ..

6.3 Warranty

The warranty is provided in accordance with statutory requirements via the specialist trade.

Please submit or send faulty devices postage paid together with an error description to your responsible salesperson (specialist trade/installation company/electrical specialist trade). They will forward the devices to the Gira Service Center.

Gira
Giersiepen GmbH & Co. KG
Elektro-Installations-
Systeme

Industriegebiet Mermbach
Dahlienstraße
42477 Radevormwald

Postfach 12 20
42461 Radevormwald

Deutschland

Tel +49(0)21 95 - 602-0
Fax +49(0)21 95 - 602-191

www.gira.de
info@gira.de