

USB data interface

Order no.: 2014 00

USB data interface insert

Order no.: 2024 00

Operating instructions

1 Safety instructions



Electrical devices may only be mounted and connected by electrically skilled persons.

Danger of electric shock. During installation and cable routing, comply with the regulations and standards which apply for SELV circuits.

Serious injuries, fire or property damage possible. Please read and follow manual fully.

These instructions are an integral part of the product, and must remain with the end customer.

i Further information about this device can be found in the operation manual on our website.

2 Function

System information

This device is a product of the KNX system and complies with the KNX directives. Detailed technical knowledge obtained in KNX training courses is a prerequisite to proper understanding.

The function of this device depends upon the software. Detailed information on loadable software and attainable functionality as well as the software itself can be obtained from the manufacturer's product database. Planning, installation and commissioning of the device are carried out with the aid of KNX-certified software. The latest versions of product database and the technical descriptions are available on our website.

Intended use

- Connecting PCs to KNX systems
- Addressing, programming and diagnostics of KNX devices
- Compatible with KNX Data-Secure products
- Support of long frames for ETS5
- UP device: Mounting in appliance box according to DIN 49073
- RMD device: Installation in small distributor board on DIN rail according to DIN EN 60715

Product characteristics

- Connection with device connection terminal
- Electrical separation of KNX and USB
- Temporary operation in unmounted condition permissible
- The firmware in the USB data interface can be updated via the ETS product database
- Power supply exclusively via the USB port

i Without a PC or USB hub connected, the device cannot be found via the bus.

3 Information for electrically skilled persons

**DANGER!**

Mortal danger of electric shock.

Cover up live parts in the installation environment,

Mounting and connecting the RMD device

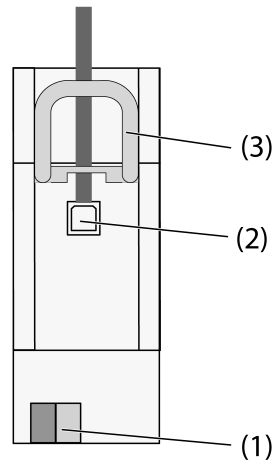


Figure 1

- (1) KNX connection
- (2) USB socket
- (3) Slide

i The slide fixes the USB connection cable in place and ensures that the required installation height in the distributor is maintained.

- Mount device on DIN rail with the terminals facing downwards.
- Connect bus line with device connection terminal (1).

Optionally connect the USB connection cable permanently:

- Unlock the slide (3) by pulling the end of the bow forwards. Pull out slide.
- Insert the USB connection cable into the socket (2).
- Re-insert slide (3) until it engages noticeably.

Mounting and connecting UP device

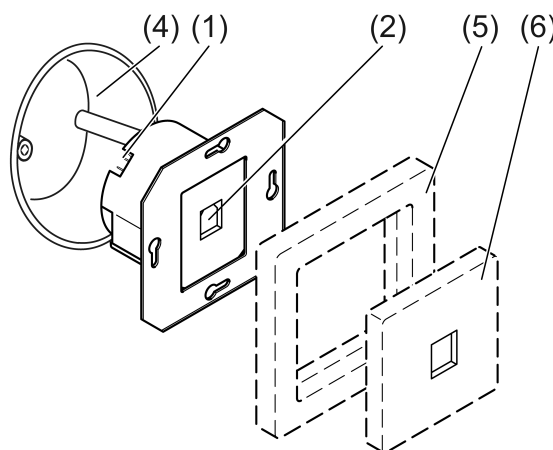


Figure 2

- (1) KNX connection
- (2) USB socket
- (4) Appliance box
- (5) Cover frame (accessory)
- (6) Cover for TAE and USB (accessory)

Mounting in flush-mounted or surface appliance box

- Connect bus line with device connection terminal (1).
- Mount the device in the appliance box (4).
- Fit the cover frame (5) onto the appliance box.
- Mount the cover for TAE and USB (6).

Programming the physical address

The USB data interfaces are exclusively programmed locally with the physical address via a connected PC and therefore do not have a programming button or programming LED. The physical address must match the KNX line to which it is connected.

- Connect PC with the device.
- Programming the physical address.
- Write the physical address on the device label.

4 Technical data

KNX

Rated voltage KNX	DC 21 ... 32 V SELV
KNX medium	TP256
Protection class	II
Ambient temperature	-5 ... +45 °C
Storage/transport temperature	-25 ... +70 °C

Fitting width

Order no. 2014 00	36 mm / 2 module
Order no. 2024 00	—

USB

USB socket	Type B
USB-Version	2.0
Cable length	max. 5 m

5 Warranty

The warranty is provided in accordance with statutory requirements via the specialist trade. Please submit or send faulty devices postage paid together with an error description to your responsible salesperson (specialist trade/installation company/electrical specialist trade). They will forward the devices to the Gira Service Center.



USB data interface, USB data interface insert

GIRA

Gira
Giersiepen GmbH & Co. KG
Elektro-Installations-
Systeme

Industriegebiet Mermbach
Dahlienstraße
42477 Radevormwald

Postfach 12 20
42461 Radevormwald

Deutschland

Tel +49(0)21 95 - 602-0
Fax +49(0)21 95 - 602-191

www.gira.de
info@gira.de