

Touch sensor 2, 24 V potential-free

single

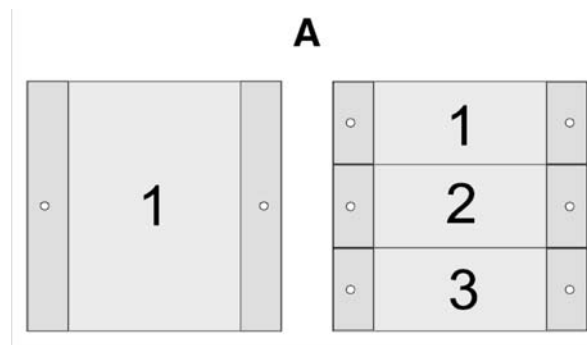
Order no.: 2001 ..

triple

Order no.: 2003 ..

Function

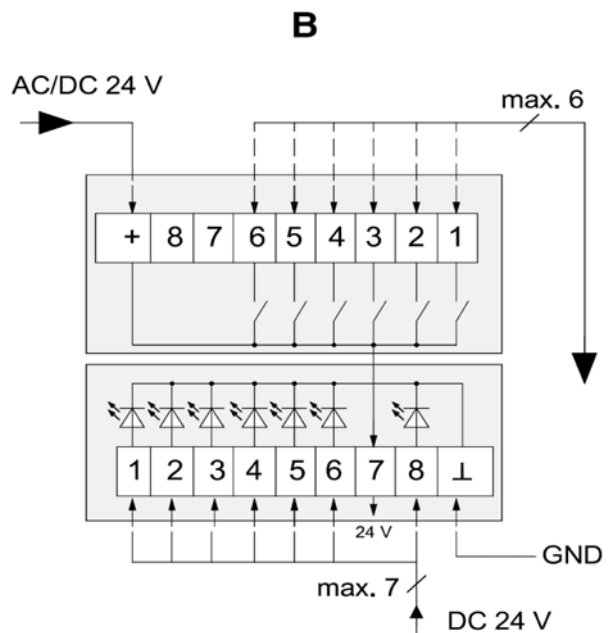
- touch sensors for connection to 24 V control systems
- two red status indication LEDs for each rocker
- backlighting
- connection with terminal block at the rear



Connection

Button outputs and LED inputs (FIG. B)

Sensor terminal (upper row)	assigned rocker:		LED terminal (lower row)
	triple	single	
1	1 left	1 left	1
2	1 right	1 right	2
3	2 left	----	3
4	2 right	----	4
5	3 left	----	5
6	3 right	----	6
	----	----	7
	lighting		8



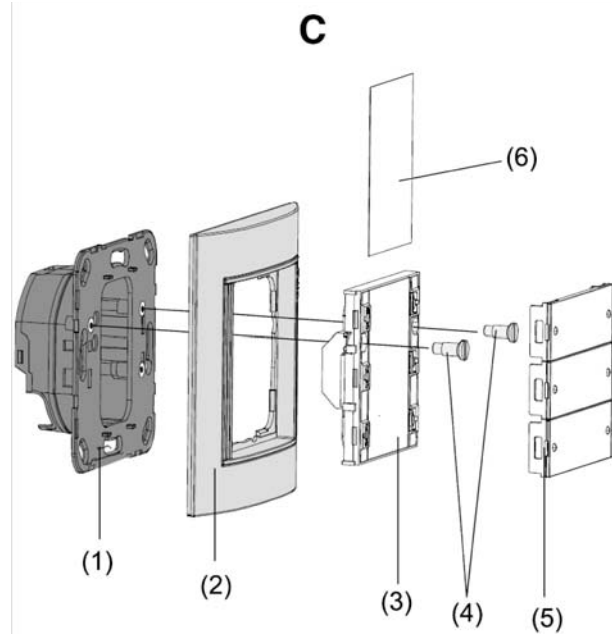
Fitting (FIG. C)

1. Remove rockers (5) carefully from touch sensor.
2. Install housing base (1) in the wall.
3. Place design frame (2) over the base and connect touch sensor (3) to the control system.
4. Plug touch sensor (3) into the base (1).
5. Fasten touch sensor to the base using only the screws supplied (4)..

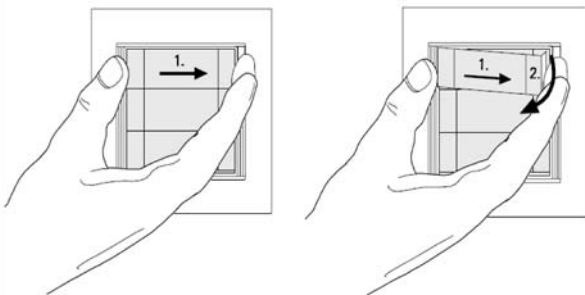


Important: Without the retaining screws the device will not function properly.

6. Slide inscription foil (6) into the touch sensor between the lateral guides.
Important: If necessary, label foil (6) before fitting.
7. Snap rockers (5) onto the touch sensor.

**Removal (FIG. D)**

1. Use your thumb and index finger to hold the rocker on the right and left side.
2. Slide the rocker to the right (1) (or to the left) and then pull forwards (2) on the right or left side.
3. Loosen the retaining screws
4. If other devices are installed under the same frame (e.g. socket outlets), they must be detached from the base as well.
5. Withdraw the touch sensor from the base.

D**Safety warnings**

Attention: Electrical equipment must be installed and fitted by qualified electricians only.

Failure to observe any of the installation instructions may cause damage to the device and result in fire and other hazards.

This device is a safety class III device. Never connect to voltages other than 24 V SELV circuits (no mains potential !!).

Technical data

Touch sensor rated voltage:	AC/DC 24 V SELV
LED rated voltage:	DC 24 V SELV
Contact current:	max. 20 mA per contact
LED current:	approx. 1 mA per LED
Connection:	2 x terminal block 9-pole 0.4...0.8 mm single-wire
Power consumption:	max. 0.2 W (all LEDs on)
Type of protection:	IP 20
Safety class:	III
Ambient temperature:	-5 °C ... +45 °C
Storage / transport temperature:	-25 °C ... +70 °C

Warranty

The warranty is provided in accordance with statutory requirements via the specialist trade.

Please submit or send faulty devices postage paid together with an error description to your responsible salesperson (specialist trade/installation company/electrical specialist trade).

They will forward the devices to the Gira Service Center.

Giersiepen GmbH & Co. KG
Electrical Installation
Systems

P.O. Box 12 20
42461 Radevormwald
Germany

Phone +49 (0) 21 95 / 602 - 0
Fax +49 (0) 21 95 / 602 - 191

www.gira.com
info@gira.com