

Acoustic element with lighting 230 V~

Art. No.: 0935 00

Function

The acoustic element with lighting is used in connection with the switch and button inserts of the Gira Up programs.

The acoustic element produces a brief acoustic signal when the connected load is switched on. The condition (on/off) can thereby be definitely determined.

Blind persons can recognize the condition of the lighting with the acoustic element, even if this is not possible by means of the position of the rocker (with two-way / cross connection, button switch).

The switch insert with the acoustic element is illuminated, in keeping with the workplace ordinance.

Installation and assembly

Caution!

The installation and assembly of electrical devices may only be carried out by electricians.

- Press the acoustic element into the socket on the backside of the switch. The circular marking on the back side of the socket and on the element mark the correct position. (Illustration 1)
- Ensure that the contact lugs on the element penetrate into the contact openings in the back side of the socket.

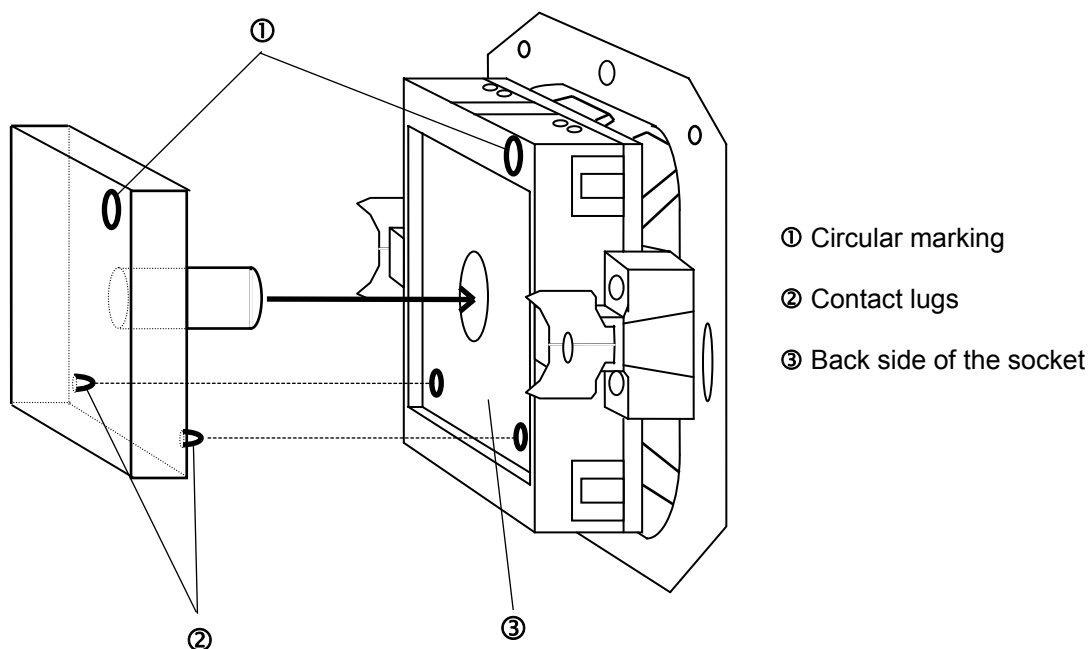


Illustration 1

The acoustic element with lighting can only be used in inserts of the switch generations made after April 1995, which can also be illuminated in accordance with the workplace ordinance.

The acoustic element is connected parallel to the switch contact of the switch. This means that the acoustic insert lights up when switched off.

The acoustic element requires 3 – 12 s (depending upon the type of load) before it is ready for operation again after the opening of the switch.

Notes:

- The acoustic element can be used in several switches in two-way and cross connection.
- It is not to be used in conjunction with 2-pole on-off switches.
- The acoustic element does not work if the connected light bulb is missing or defective (exception: transformer in no-load operation).
- Due to the design height, the acoustic element can not be used in conjunction with the surface and WG Ap-System.
- The acoustic element with lighting can not be used in conjunction with control switches.
- Check compact luminaire lamps for suitability before use.

Technical Data

Nominal voltage:	230 V AC
Nominal current:	≤ 0.8 mA (depending upon the load)
Audio frequency:	2.3 kHz ± 500 Hz

Acceptance of guarantee

We accept the guarantee in accordance with the corresponding legal provisions.

Please return the unit postage paid to our central service department giving a brief description of the fault:

Gira
Giersiepen GmbH & Co. KG
Service Center
Dahlienstrasse 12
D-42477 Radevormwald



The CE sign is a free trade sign addressed exclusively to the authorities and does not include any warranty of any properties.

Gira
Giersiepen GmbH & Co. KG
Postfach 1220
D-42461 Radevormwald

Telefon: +49 / 21 95 / 602 - 0
Telefax: +49 / 21 95 / 602 - 339
Internet: www.gira.de