

Powernet Shutteractuator 2fold

Order No.: 0698 00

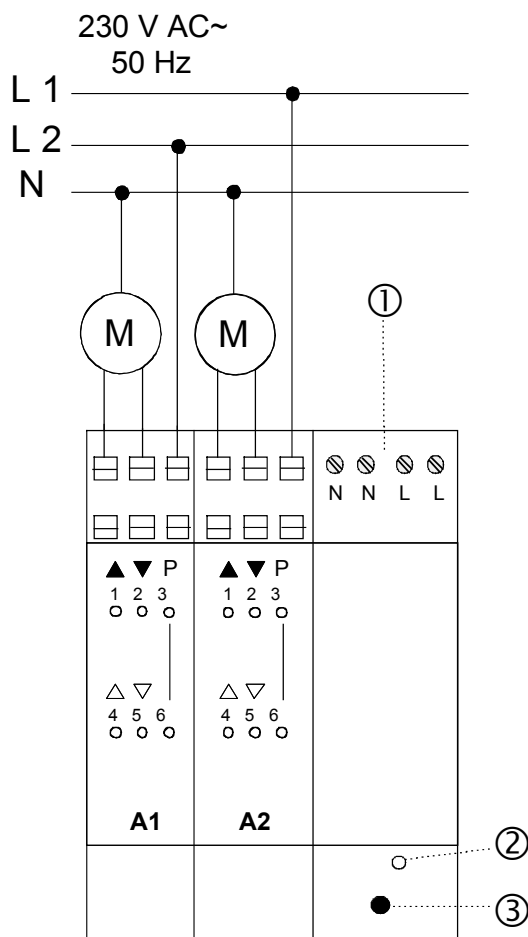
System Information

This device is a product of the GIRA-Powernet[®] EIB system and complies with EIBA directives. Detailed technical knowledge obtained in instabus or GIRA-Powernet[®] EIB training courses is a prerequisite to proper understanding.

The functionality of this device depends upon the software. Detailed information on loadable software and attainable functionality may be taken from the manufacturer's ETS2 product database as well as from the GIRA-Powernet[®] EIB controller database.

Planning, installation and commissioning of the unit is done by means of the ETS2 software, Ver. 1.1 or later, as well as by the GIRA-Powernet[®] EIB controller.

Function



Through two channels, the shutteractuator allows to lift and/or lower two venetian blind drives for each channel. These channel are independent from each other. In function of the operating time the slats are opened or shut.

Commands are issued by operation of touch sensors, venetian blinds sensors, infrared sensors or via the binary inputs of the GIRA-Powernet[®] EIB -system.

Momentary switching action causes movement of the slats whereas persistent switching action causes the venetian blinds to be moved up or down.

The shutteractuator can be locked via the GIRA-Powernet[®] EIB -system (e. g. in case of storm). No operation will be possible until unlocking. The command for unlocking must be repeated regularly.

Connection

Establish electrical connection as shown in the opposite illustration.

Where:

- ① GIRA-Powernet[®] EIB connection.
- ② Programming key.
- ③ Programming LED

The connection of different external leads to the channels is admissible. The channel outputs may only be wired with an external lead.

Indications of danger

Caution! The installation and assembly of electrical equipment may be carried out only by a skilled person.

Dangers that may arise from motor-driven components shall be excluded by appropriate safety measures.

Adjustment

Functionality of the device is depending on the software.

The time for short time operation (slat adjustment) can be adjusted.

The waiting time for direct changes of direction is software-dependent.

The fact that drives may require a minimum switch-over time for changes of direction must be taken into account in the project.

Subject to change without notice.

Technical Data

Supply

Mains voltage: 230 V AC (sine wave)
Mains frequency: 50 Hz

Power consumption at no-load: ca. 2 VA

Connection

Powernet: screw terminals
0,5 - 4 mm², unifilar
0,5 - 2,5 mm² finewire
0,5 - 2,5 mm² finewire with core end bush

Load circuit: Plug terminals
0,5 - 2,5 mm², unifilar
0,5 - 2,5 mm² finewire with pin cable socket
0,5 - 1,5 mm² finewire with core end bush

Switching power

AC - venetian blinds motor: max. 500 VA
max. terminal current: 10 A

Ambient temperature: -5 °C to +45 °C
Type of protection: IP 20
Build-in width: 63 mm (3,5 PU)
Weight: 255 g

Acceptance of guarantee

We accept the guarantee in accordance with the corresponding legal provisions.

Please return the unit postage paid to our central service department giving a brief description of the fault:

Gira
Giersiepen GmbH & Co. KG
Service Center
Dahlienstrasse 12
D-42477 Radevormwald



The CE sign is a free trade sign addressed exclusively to the authorities and does not include any warranty of any properties.

Gira
Giersiepen GmbH & Co. KG
Postfach 1220
D-42461 Radevormwald

Telefon: +49 / 21 95 / 602 - 0
Telefax: +49 / 21 95 / 602 - 339
Internet: www.gira.de