

M217 display unit

Order no.: 0539 xx, 0540 xx

Function

The M217 display unit shows the most important functions and information from a Revox Multiroom System in the primary and secondary rooms.

Ideally, the M217 display unit is combined with the M218 operating unit, which enables easy and logical operation of the music system.

A connection cable is included in the scope of delivery of the M217/M218 control unit.



Danger warning

Improper mounting of this device in an environment with low-voltage products (230 V AC) can cause serious health problems or damage to property.

This product is intended for connection to extra-low voltage circuits and may never be connected to low voltage (230 V AC).

The device may only be mounted, connected and removed by qualified personnel. Qualified personnel are persons who are authorised to perform the required tasks and recognise and prevent possible dangers thanks to their education, experience and instruction in the relevant standards, requirements and accident-prevention regulations.

The information and instructions in this installation manual must always be observed to avoid danger and damage.

Mounting

Avoid applying any pressure to the display during and after mounting!



Note

If the display unit is used alone (without the M218 operating unit), the IR receiver must be activated. For this purpose, DIP switch 1 on the back of the display unit must be switched on.

When combining the M217 display unit with the M218 operating unit, only one of the IR receivers is to be activated. Conflicts could arise otherwise.

Installation height

The ideal installation height for the M217 display unit is approx. 150 cm (centre of display). This results in a good reading angle and comfortable operation of the display unit/operating unit combination for smaller people as well. The operating unit should be attached below the display unit.

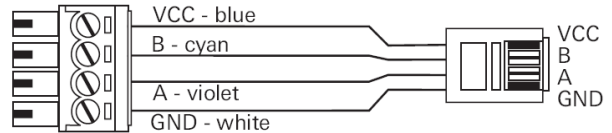
Connection

Revox recommends using a 4-lead telephone cable (1 x 4 x 0.5 mm²) with an RJ11 plug (6P4C modular) for connection to the Revox multiroom system M51 or Revox secondary M219 room amplifier.

Maximum cable length: 100 m.

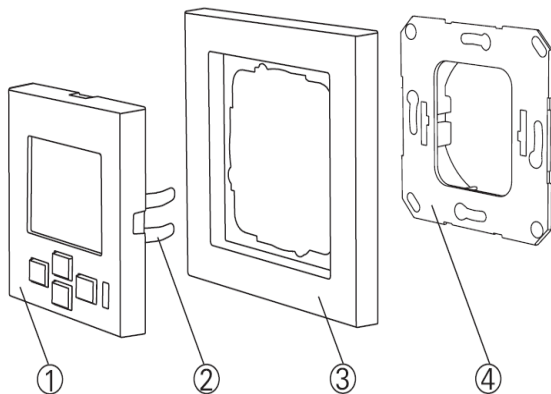
M217

M51 / M219



Installation

1. Screw support ring (4) to flush- or surfacemount box.
2. Strip installation cable and lead it through the support ring (4).
3. Connect cable to the screw-type plug-in connector.
4. Connect plug-in connector to printer connection on the back of the operating interface (1).
5. Set operating interface (1) on the support ring (4) with the cover frame (3) in such a way that the brackets (2) of the operating interface (1) lie in the recess of the support ring (4).
6. Press operating interface (1) onto the support ring (4) until the brackets engage.



DIP switches (back)

The basic settings are configured with the DIP switches on the back of the M217. Use a small screwdriver for this purpose.

DIP	Function	Description	Factory setting
1	IR sensor on/off	Internal infrared receiver	Off
2	A/B mode	Parallel operation of two M217s on one secondary room amplifier	Off A-mode
3	Address	Corresponding address for M219 secondary room amplifier	Off
4			Off

Commissioning and operation

To commission the display unit, it must be connected to a Revox multiroom system M51 or a Revox M219 secondary room amplifier.

Information and support for commissioning and operation are contained in the instructions of the Revox.

Your contact partner for additional questions can be a Revox specialist dealer or Revox GmbH, 78048 VS-Villingen, Germany (www.revox.de, info@revox.de, Tel: +49 7721-8704-0).

Technical data

Power consumption:	30 to 50 mA – Revox M51 50 to 100 mA – Revox M219
Connection:	screw-type plug-in connection 4 x 0.15 to 1 mm ²
Cable length:	max. 30 m for M218 operating unit max. 100 m for Revox multi- room system M51, Revox M219 secondary room ampli- fier
Temperature range:	-5 °C to +45 °C
Protection type:	IP 20

Acceptance of guarantee

We accept the guarantee in accordance with the corresponding legal provisions.

Please return the unit postage paid to our central service department giving a brief description of the fault:

Gira
Giersiepen GmbH & Co. KG
Service Center
Dahlienstrasse 12
D-42477 Radevormwald

Gira
Giersiepen GmbH & Co. KG
Postfach 1220
D-42461 Radevormwald

Telefon: +49 / 21 95 / 602 - 0
Telefax: +49 / 21 95 / 602 - 339
Internet: www.gira.de