

**IR-TRONIC-Touchdimmer**

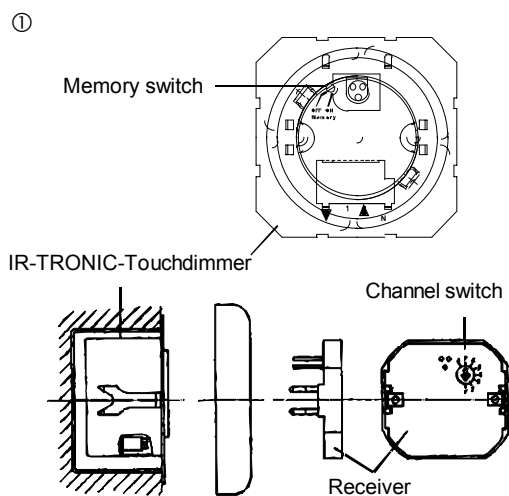
**20 - 315 W**

Order No.: 0537 00

## Function

IR-TRONIC-touchdimmer for switching and dimming of lv-halogenlamps with TRONIC-transformers, 230 V standard incandescent lamps as well as hv-halogen lamps.

Switching and dimming commands can be released by pushing the push-button of dimmer, extension or transmitter.



There are 2 possibilities for switching-on and dimming (fig. ①):

**Memory switch = OFF:**

Switching-on releases max. brightness  
Dimming starts with min. brightness.

**Memory switch = ON:**

Switching-on to last set brightness.  
Dimming starts with last set brightness.

The IR-TRONIC-touchdimmer is a component of the TRONIC light Control System.

Interruptions of the 230 V supply lasting longer than 2 sec. are causing a switching-off position and loss of stored value of brightness.

## Short circuit protection

Switching-off with automatic re-run only for short circuits lasting less than 7 sec. For short circuits lasting longer switching-off remains until manual reswitching-on.

## Protection for overheating

Too high ambient temperature causes switching-off. After cooling down the dimmer has to be reswitched-on manually.

## Indications of Danger

Caution! The installation and assembly of electrical equipment may be carried out only by a skilled person.

**Not suitable for switching the lines potential free. When the dimmer is switched-off, the load is not disconnected from the mains galvanically.**

Disregarding the installation instructions may cause fire or other dangers.

## Instructions for Installation

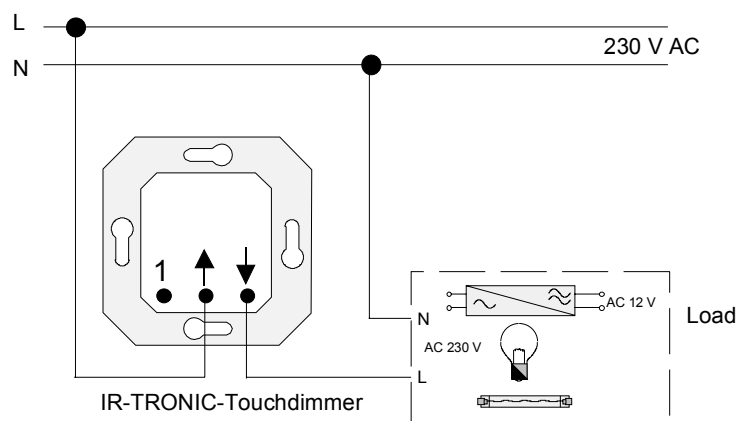
The IR-TRONIC-touchdimmer consists of an upper receiver part to be plugged into the lower power part (Bild ①).

Before plugging-in the receiver, set the channel switch to the number (1-8) which is according to the push-button number of the IR-transmitter (fig. ①)

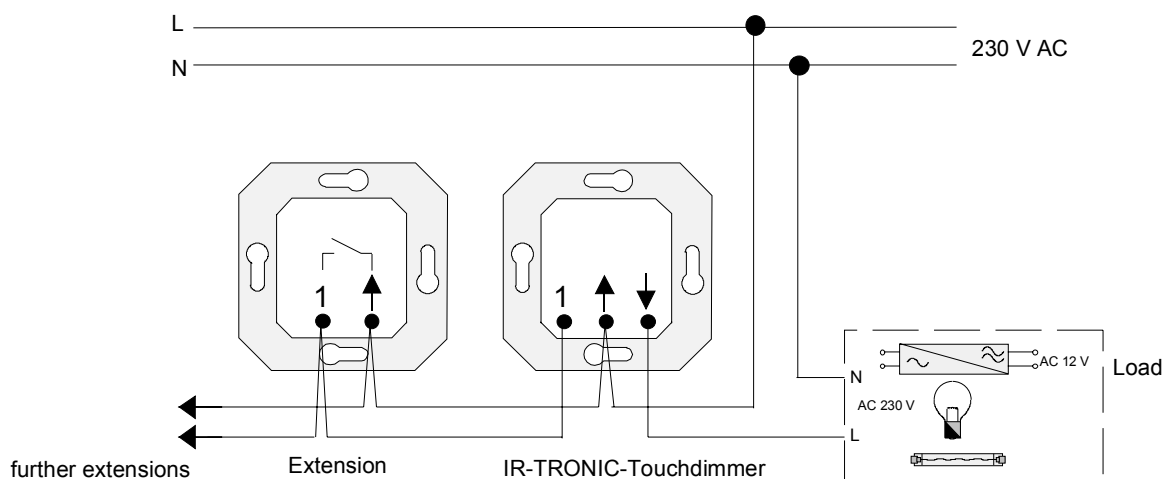
Maximum load of dimmer 315 W for 230 V incandescent lamps, hv-halogen lamps  
 or max. 9 TRONIC-transformers 35 W or max. 6 TRONIC-transformers 60 W  
 or max. 5 TRONIC-transformers 70 W or max. 3 TRONIC-transformers 105 W  
 or max. 2 TRONIC-transformers 150 W or max. 2 TRONIC-transformers 200 W

A mixed installation of TRONIC-transformers with different wattage ratings or TRONIC-transformers and incandescent or hv-halogen lamps up to 315 W is possible.

For connexion see fig. ②.



When commands should be released from different places install extension (fig. ③).



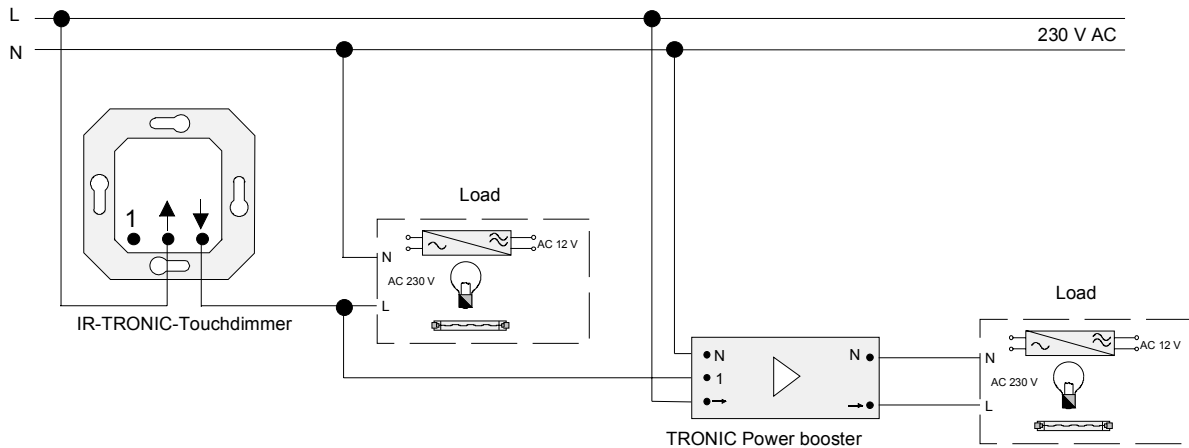
No connexion of inductive loads (e.g. inductive transformers).

Depending on the installation the maximum load must be reduced:

- 10% per 5 °C exceeding the ambient temperature of 25 °C.
- 15% for installation in wooden, false or hollow walls.
- 20% for installation in multiple combinations.

Other light sources may only emit rays to the receiver indirectly, otherwise the sensitivity will be reduced.

After reaching load limit of IR-TRONIC-touchdimmer, up to 10 TRONIC power boosters can be connected to increase maximum load. Please follow technical connexion regulations of power stations. In a low dimmer position control signals of power stations may be recognized as a short flickering. For connexion see fig. ④.



## Technical Data

### Power part of the dimmer

Rated voltage:

230V AC

Rated load:

50 - 315W

TRONIC-transformers

230V V incandescent lamps

hv-halogen lamps

mixtures of specified loads

Number of power boosters:

max. 10

Extension:

push-button with normally open contact

f. eg. extension type „A“

Number of extensions:

unlimited

Radio noise suppression:

according to VDE 0875 part 1, level N

### Receiver part

Transmitting media:

infrared light 950 nm

Carrier frequency:

PPM Code, carried

Number of possible channels:

8

---

## Acceptance of guarantee

We accept the guarantee in accordance with the corresponding legal provisions.

**Please return the unit postage paid to our central service department giving a brief description of the fault:**

Gira  
Giersiepen GmbH & Co. KG  
**Service Center**  
Dahlienstrasse 12  
D-42477 Radevormwald



The CE sign is a free trade sign addressed exclusively to the authorities and does not include any warranty of any properties.

Gira  
Giersiepen GmbH & Co. KG  
Postfach 1220  
D-42461 Radevormwald

Telefon: +49 / 21 95 / 602 - 0  
Telefax: +49 / 21 95 / 602 - 339  
Internet: [www.gira.de](http://www.gira.de)