

Mini radio blind actuator
Order No. : 0425 00

Operating instructions

1 Safety instructions

Electrical equipment may only be installed and fitted by electrically skilled persons.

Serious injuries, fire or property damage possible. Please read and follow manual fully.

Danger of electric shock. Always disconnect device before working on it. At the same time, take into account all circuit breakers that supply dangerous voltage to the device.

Danger of electric shock. Device is not suitable for disconnection from supply voltage.

The radio communication takes place via a non-exclusively available transmission path, and is therefore not suitable for safety-related applications, such as emergency stop and emergency call.

Risk of injury. Use the device only for controlling Venetian blind and roller shutter motors or awnings. Do not use it to switch other loads.

For parallel connection of several motors to an output it is essential to observe the corresponding instructions of the manufacturers, and to use a cut-off relay if necessary. The motors may be destroyed.

Use only venetian blind motors with mechanical or electronic limit switches. Check the limit switches for correct adjustment. Observe the specifications of the motor manufacturers. Device can be damaged.

Danger of electric shock. The antenna has basic insulation. Do not lead it through the appliance box.

Do not shorten, extend or strip the antenna. Device can be damaged.

These instructions are an integral part of the product, and must remain with the end customer.

2 Device components

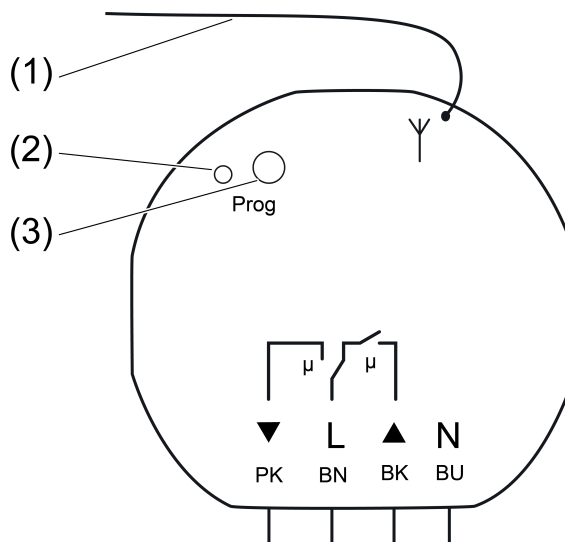


Figure 1

- (1) Antenna
- (2) LED, two-colour
- (3) Programming button

3 Function

System information

By statute, the transmitting power, the reception characteristics and the antenna cannot be changed.

The range of a radio system from the transmitter to the receiver depends on various circumstances.

The range of the system can be optimised by selecting the optimal installation location, taking into account the structural circumstances.

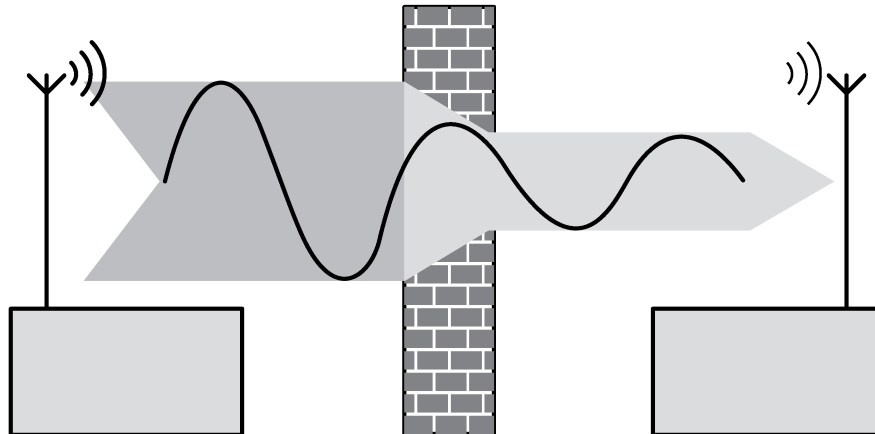


Figure 2: Reduced range due to structural obstacles

Example of penetration of various materials:

Material	Penetration
Wood, Plaster, Plasterboard	approx. 90%
Brick, Chipboard	approx. 70%
Reinforced concrete	approx. 30%
Metal, Metal grid	approx. 10%
Rain, Snow	approx. 1-40%

Intended use

- Radio-controlled operation of a Venetian blind or roller shutter motor
- Operation with suitable radio transmitters
- Installation in appliance box according to DIN 49073

Product characteristics

End positions of the Venetian blind can be called up via light scenes

4 Operation

Operation with radio transmitter

A radio transmitter has to be taught in order to be able to operate the venetian blind actuator.

i Observe the instructions for the radio transmitter.

Depending on how a radio transmitter is operated, the slats are adjusted or the Venetian blind is moved.

5 Information for electrically skilled persons

5.1 Fitting and electrical connection



DANGER!

Electrical shock when live parts are touched.

Electrical shocks can be fatal.

Before carrying out work on the device or load, disengage all the corresponding circuit breakers. Cover up live parts in the working environment.

Connecting and mounting the venetian blind actuator

Maintain a distance of at least 0.5 m from metal surfaces and electrical devices, e.g. Venetian blind and roller shutter motors, hi-fi and TV systems.

Maintain a distance of at least 1 m between the venetian blind actuator and a transmitter in order to prevent overmodulation of the Shutter actuator.

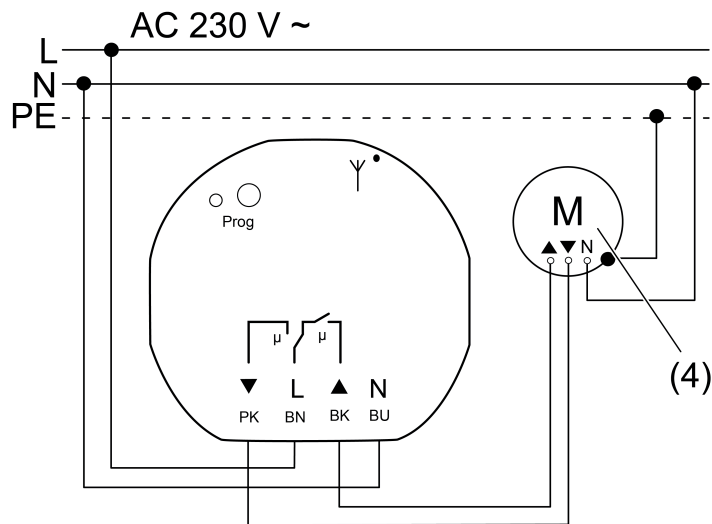


Figure 3: Connection diagram

- Connect venetian blind actuator in accordance with connection diagram (Figure 3) with connection terminals (see Using connection terminals), and connect with the venetian blind or roller shutter motor (4).

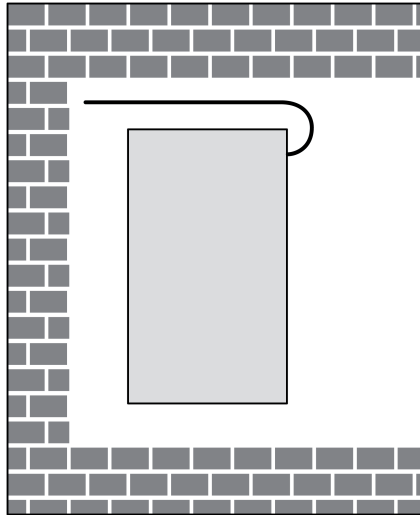


Figure 4

- Insert the venetian blind actuator in the appliance box in such a way that the programming button and the LED are visible.
- Lay the antenna stretched out freely if possible.
- Switch on mains voltage.

Testbetrieb am Gerät

The Venetian blind can be moved by pressing the programming button briefly (for about 1 second).

	Reaction	LED
1rd button-press	Venetian blind moves up, 2 min	red
2rd button-press	Stop	OFF
3rd button-press	Venetian blind moves down, 2 min	green
4th button-press	Stop	OFF

- Perform commissioning.
- Mount the cover.

Using the lamp terminals

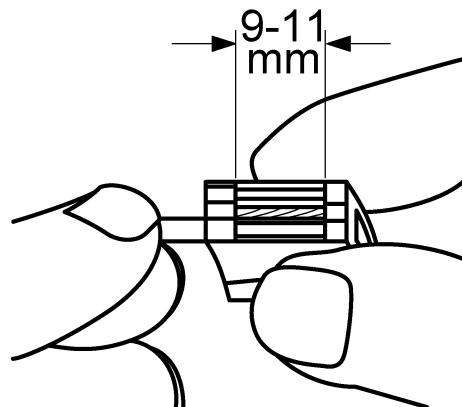


Figure 5: Stripping length

- Strip 9 - 11 mm of the cable (Figure 5).

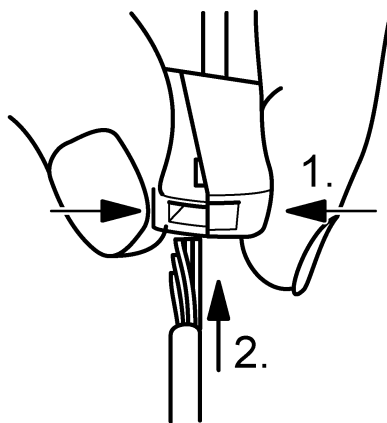


Figure 6: Connection of the fine-wire cable

- Push the terminal together on the side with the square opening and connect a fine-wire cable (Figure 6).

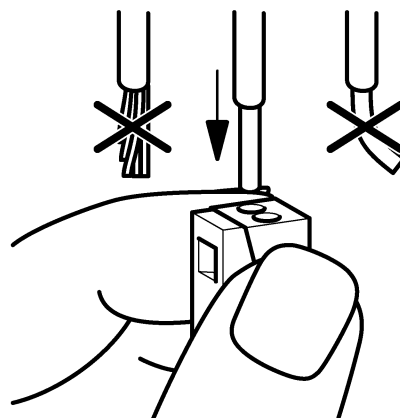


Figure 7: Connection of the single-stranded cable

- Push the single-stranded cable into the round opening on the installation side up to the stop (Figure 7).

5.2 Commissioning

-  Observe the instructions for the radio transmitter.




DANGER!

Electrical shock when live parts are touched.

Electrical shocks can be fatal.




Before working on the device, cover up live parts in the working environment.

Teaching a radio transmitter

-  If all memory slots are occupied, a radio transmitter which has already been taught must first be deleted. To do this, delete all taught channels and light scenes of the radio transmitter individually.

The distance between the receiver and the radio transmitter is from 0.5 m to 5 m.

The load is switched off.

-  When a radio transmitter is being taught, the Venetian blind is likewise moved each time the programming button of the Venetian blind actuator is pressed.
 - Press the programming button of the Venetian blind actuator for approx. 4 seconds. The LED blinks. The device is in programming mode for approx. 1 minute.
 - Press radio transmitter
LED lights up red. The radio transmitter has been taught.
 - Press the programming button briefly.
Venetian blind actuator switches to the operating mode.
-  The programming mode is exited automatically after about 1 minute.
-  Teach light scene buttons separately.


Integrating the end position of the Venetian blind into a light scene

The upper or lower end position of a Venetian blind can be called up via light scene buttons of a radio transmitter.

Light scene button of the radio transmitter has been taught in the actuator.

- Move Venetian blind to the desired end position. The relay of the Venetian blind control must switch off automatically after two minutes.
- Press desired light scene button of the radio transmitter for at least 3 seconds.
The end position of the Venetian blind has been saved as a light scene.

Deleting radio transmitters individually

- Teach the radio transmitter to be deleted again (see Teaching a radio transmitter).
LED blinks quickly. The radio transmitter has been deleted.
-  If several channels or light scenes of a radio transmitter have been taught, they all must be deleted individually.

6 Technical data

Rated voltage	AC 230 / 240 V ~
Mains frequency	50 / 60 Hz
Ambient temperature	-20 ... +55 °C
Relative humidity	approx. 0 ... 65 % (No moisture condensation)
Switch-over time for direction change	approx. 1 s
Minimum actuation time	0.3 s
Switch-on time, Venetian blind operation	approx. 2 min
Connected load	
Motors	700 W

Switching current	10 A
Ohmic	
Minimum switching current AC	100 mA
Contact type	μ contact
Connection	
single stranded	1.0 ... 2.5 mm ²
Dimensions Ø×H	53×28 mm
Radio frequency	433.05 MHz ... 434.79 MHz
Receiver category	2
Teachable radio transmitter	max. 14

7 Troubleshooting

Device does not respond, or only sometimes.

Cause 1: battery in the radio transmitter is empty.

Change the battery in the radio transmitter.

Cause 2: Radio range exceeded. Structural obstacles reduce the range.

Check the installation situation.

Check routing of antenna. Laying the antenna stretched out increases the range.

Using a radio repeater.

The device switches the load off and cannot be switched on again.

Cause: overheating protection has tripped.

Disconnect device from mains, also switch associated off circuit breakers.

Let device cool down for at least 15 minutes.

Check the installation situation.

Reduce the connected load.

Switch circuit breakers on again.

8 Conformity

Gira Giersiepen GmbH & Co. KG hereby declares that the radio system type

Order No. 0425 00

corresponds to the directive 2014/53/EU. You can find the full article number on the device. The complete text of the EU Declaration of Conformity is available under the Internet address:

www.gira.de/konformitaet

9 Warranty

The warranty follows about the specialty store in between the legal framework as provided for by law

Please submit or send faulty devices postage paid together with an error description to your responsible salesperson (specialist trade/installation company/electrical specialist trade). They will forward the devices to the Gira Service Center.

Gira
Giersiepen GmbH & Co. KG
Elektro-Installations-
Systeme

Industriegebiet Mermbach
Dahlienstraße
42477 Radevormwald

Postfach 12 20
42461 Radevormwald

Deutschland

Tel +49(0)21 95 - 602-0
Fax +49(0)21 95 - 602-191

www.gira.de
info@gira.de