

**TRONIC-Transformer Power Unit**  
**1-10 V control unit module**

Order no.: 0359 00

**Function**

The TRONIC transformer power unit facilitates the operation of halogen low-voltage lamps (12 V). The transformer is delivered ex factory in combination with a 1-10 V control unit module. This combination permits controlling of the transformer via the 1-10 V interface of the attachment. Driving proceeds via a 1-10 V control unit such as the 'built-in touch control unit' or the 'potentiometer for a 1-10 V interface'.

**Important note:** Attention! Do not use the TRONIC transformer power booster with 1-10 V attachment with dimmers! Risk of irreparable damage to the components! Do not operate the device when only partially assembled!

Lamp-saving switching on by soft start.

**Overload and overtemperature protection:**  
By automatic power reduction.

**Short-circuit protection:**  
Cut-off with automatic restarting after repair of the short-circuit.

**Fitting instructions**

Connect TRONIC transformer power unit (1) with attachment (2) through a connector.

To connect the power unit carefully release lock (3) by a blade screwdriver and pull the attachment off the power unit. (Fig. 1). To connect the mains supply line carefully remove the cap (4) of the power unit with a screwdriver (Fig. 2).

To install the attachment control line, remove cap (5) carefully with a slotted screwdriver.



**Note**

Always plug on or remove the attachment when the voltage is disconnected. Once the voltage is turned on, the TRONIC transformer power unit starts the halogen low-voltage lamps.

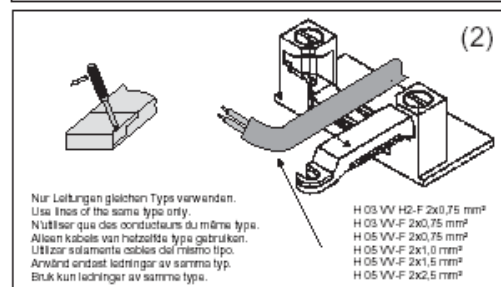
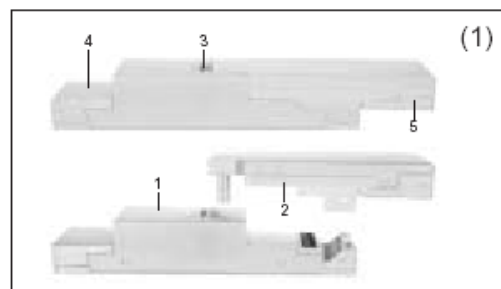


**Safety instructions**

**Caution: Electrical equipment must be installed and fitted only by qualified electricians and in observance of the current accident prevention regulations.**

**To prevent electric shocks, the device must be safely disconnected from the mains before performing any work on the device itself or on the load (circuit-breaker cut out).**

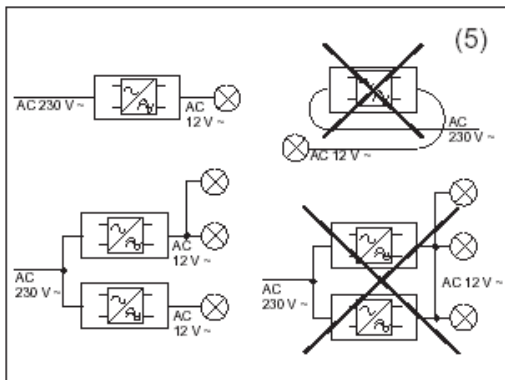
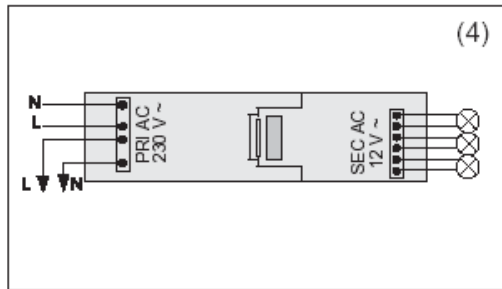
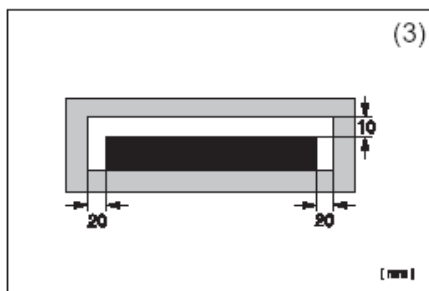
**Any non-observance of the safety warnings and fitting instructions may result in damage to the device and cause fire or other hazards.**



Connect as shown in the diagrams. Re-fit the cap to the connecting terminal space and re-plug the attachment after connecting up.

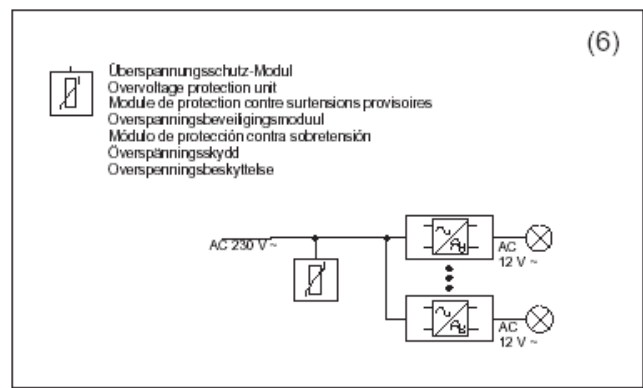
Control line: Type, cross section and laying must be in accordance with the VDE procedures for 250 V lines (base-insulated control voltage). Do not lay load and control lines within one common cable.

Install and connect as shown in the illustration (fig. 3, 4, 5). Keep double the distance from transformer to transformer.



TRONIC transformers are protected against transient overvoltages (mains voltage peaks) in accordance with EN 61547. For the protection against higher overvoltages (caused by switching fluorescent lamps, discharge lamps, motors and by other inductive loads), install a separate load circuit for TRONIC transformer power units. Otherwise, defects of the transformer may be caused by spikes when the circuit is switched.

If there is a hazard of mains peaks, use an additional TRONIC overvoltage protection unit at the primary end in parallel with the TRONIC transformer power units. (fig.6).



1 TRONIC overvoltage protection unit is sufficient for approximately 10 TRONIC transformer power units per circuit. Consider the output range of the transformer. Underload may entail fluttering.

Do not connect the secondary circuit with other TRONIC transformers and do not lay it in the vicinity of the mains supply line (fig.5).

Please note the instructions and connection diagrams on the maximum switching capacity in the Operating Instructions of the control units.

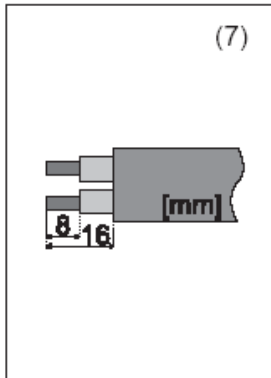
Avoid heat sources (e. g. lamps) in the vicinity of transformers. In critical cases, measure the temperature at the Tc.

Cross section and type recommended for the secondary circuit:

2x1.5 mm<sup>2</sup> min., e. g. H 05 V V-F 2 x 1.5 mm<sup>2</sup>.

Choose the mains line as shown in the illustration to obtain effective pull relief.

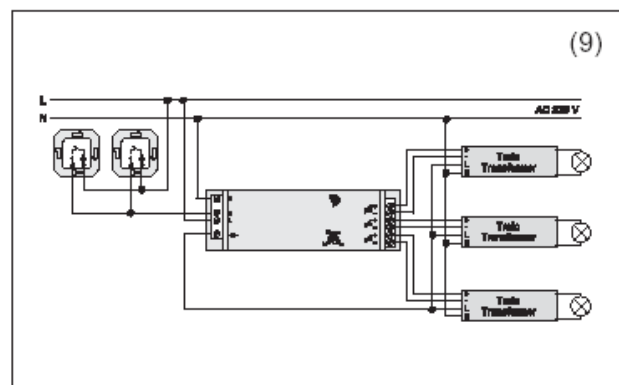
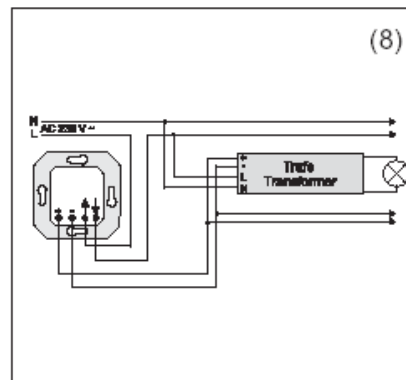
For the stripping lengths for the outer cable covering, refer to the illustration (fig.7).



**Secondary circuit maximum length 2 m** (to keep interference suppression).

For the connection of more than three halogen low-voltage lamps, the use of a sixfold distributor is recommended.

Connection of possible control units as per figures 8 and 9.



## Technical Data

Dimensions [mm]: 215 x 42 x 32

### TRONIC-Transformer

Nominal rating: 20-105 W  
 Supply voltage 230 V: AC 230 V~  
 Supply voltage 240 V: AC 240 V~  
 Mains frequency: 50 Hz  
 Output voltage: 11,7 V eff., 40 kHz  
 Primary current: 0,45 A (105 W)

### 1-10 V Attachment

Control voltage: 1-10 V  
 Control current: ca. 0,8 mA  
 1-10 V electrical isolation: 2 kV-base insulation  
 Max. ambient temp. (Ta): 50 °C  
 Max. housing temp. (Tc): 100 °C  
 Protective system: IP 20  
 Connecting terminals: +,- (1-10 V), max. 2,5 mm<sup>2</sup>  
 Max. number of 1-10 V attachments on Potentiometer (Fig. 8): 50  
 Touch Control Unit (Fig. 9): 250

## Acceptance of guarantee

We accept the guarantee in accordance with the corresponding legal provisions.

**Please return the unit postage paid to our central service department giving a brief description of the fault:**

Gira  
Giersiepen GmbH & Co. KG  
**Service Center**  
Dahlienstrasse 12  
D-42477 Radevormwald

---

**CE** The CE sign is a free trade sign addressed exclusively to the authorities and does not include any warranty of any properties.

Gira  
Giersiepen GmbH & Co. KG  
Postfach 1220  
D-42461 Radevormwald

Telefon: +49 / 21 95 / 602 - 0  
Telefax: +49 / 21 95 / 602 - 339  
Internet: [www.gira.de](http://www.gira.de)