

HV-cord dimmer

Order no.: 0335 41/0335 42

LV-cord-dimmer

Order no.: 0335 44/0335 45

Function

The cord dimmer is designed for installation in the supply cord of portable lamps.

The LV cord dimmer (Art.no. 0335 44 / 0335 45) is intended for switching and dimming of: 230 V incandescent lamps LV halogen lamps used in conjunction with conventional transformers.

The HV cord dimmer (Art.no. 0335 41/ 0335 42) is intended for switching and dimming of: 230 V incandescent lamps.

**Safety instructions**

Attention: Installation and fitting of electrical equipment must be carried out only by qualified electricians.

Not suitable for safe disconnection of the mains.

The load is not isolated electrically from the mains even when the device is off. To prevent electric shocks, pull out the mains plug before working on the device or before replacing lamps.

In the event of malfunctions check the fine-wire fuse first. Use only original fuses.

Any non-observance of the fitting instructions may cause fire or other hazards.

Operation

The device is switched on and off by turning the control knob (2) to the respective limit stop.

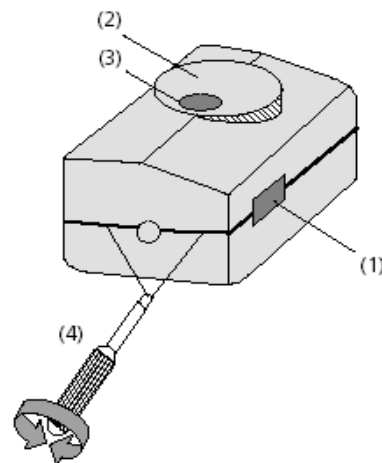
By turning the control knob, the lighting be infinitely adjusted to the desired level of brightness.

**Opening and closing of the dimmer housing**

To prevent electric shocks, pull out the plug before opening the housing.

1. Turn the control knob (2) to the left until it engages: OFF position (3).
2. Take the lid off the base as shown in the figure (4).
3. The housing is closed by proceeding in reverse order.

Make sure that the control knob engages correctly in the potentiometer. Make sure that the control knob engages correctly in the potentiometer.



Installation of the dimmer

Observe the maximum load rating and the permitted load types as set out in the technical characteristics.

The minimum load specified in the technical characteristics is necessary to prevent flickering of the lamps connected.

The arrows on the housing bottom mark the connecting terminals of the cord dimmer.

Connect the leads as shown in the figure.

Terminal (5):
phase conductor in (L), arrow pointing inwards,
(plug side)

Terminal (7):
dimmed phase out arrow pointing outwards
(lamp side)

Terminal (8):
neutral conductor through-connection (N), arrow
pointing outwards

Terminal (6):
protective earth conductor (PE) through-connection,
symbol

Observe the technical connection requirements of the power supply companies.

Centralized telecontrol signals from power stations may cause short-time flickering of the lamps in low dimming position.

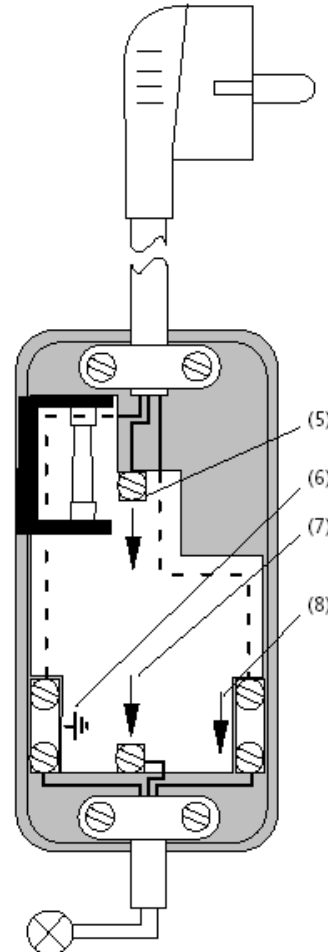
The weak humming noise of the dimmer is caused by the interference suppressor choke.

Both effects are normal and not a defect of the dimmer.



Fuse replacement

**To prevent electric shocks, pull out the plug before replacing the fuse.
Use only original fuses.**



The fuse (1) is easily accessible from outside and protects the appliance against the short-circuit that may occur when the lamp fails.

The fuse can be replaced by the user of the appliance:

1. Pull out the mains plug.
2. Remove the fuse holder from the appliance.
3. Remove the defective fuse from the holder and replace by a fuse of the same type and rating (see technical characteristics or information on the appliance).
4. Slide the fuse holder back into the appliance.

Technical characteristics

LV cord dimmer Art.no. 0335 44 / 0335 45:

Rated voltage:	AC 230 V~, 50 / 60Hz
Power rating:	20 – 100 W/VA
Load types:	230 V incandescent lamps LV halogen lamps with conventional transformers
Min. load:	20 W/VA
Fuse:	T 0.4 / 250D
Dimensions in mm (L x W x H):	82 x 40 x 28

HV cord dimmer Art.no. 0335 41 / 0335 42:

Rated voltage:	AC 230 V~, 50 / 60Hz
Power rating:	40 – 200 W
Load types:	230 V incandescent lamps
Min. load:	40 W
Fuse:	M0.8 / 250G
Dimensions in mm (L x W x H):	82 x 40 x 28

Acceptance of guarantee

We accept the guarantee in accordance with the corresponding legal provisions.

Please return the unit postage paid to our central service department giving a brief description of the fault:

Gira
Giersiepen GmbH & Co. KG
Service Center
Dahlienstrasse 12
D-42477 Radevormwald

Gira
Giersiepen GmbH & Co. KG
Postfach 1220
D-42461 Radevormwald

Telefon: +49 / 21 95 / 602 - 0
Telefax: +49 / 21 95 / 602 - 339
Internet: www.gira.de