

WP surf.-mount. light bulb dimmer w. press. switch

Order-No. : 0301 30

Light bulb dimmer with pressure switch

Order-No. : 0302 00

Operating instructions**1 Safety instructions**

Electrical equipment may only be installed and fitted by electrically skilled persons.

Failure to observe the instructions may cause damage to the device and result in fire and other hazards.

Always disconnect before carrying out work on the device or load. At the same time, take into account all circuit breakers that supply dangerous voltage to the device or load.

The device is not suitable for disconnection from supply voltage.

Do not connect electronic lamps, e.g. switchable or dimmable energy-saving lamps or LED lamps. Otherwise the possibility of a device defect cannot be ruled out.

These instructions are an integral part of the product, and must remain with the end customer.

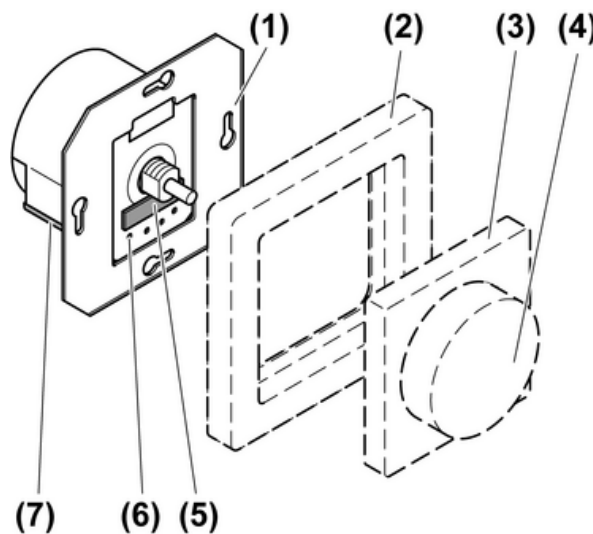
2 Device components


Figure 1: Device components

- (1) Dimmer
- (2) Frame
- (3) Central plate
- (4) Control button
- (5) Fuse holder
- (6) Measuring points for voltage test
- (7) Release lever for plug terminal

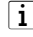
3 Function

Intended use

- Switching and dimming incandescent lamps and HV halogen lamps
- Suitable for mixed operation up to the specified output (see chapter 6.1. Technical data)
- Installation in appliance box to DIN 49073

 No operation with transformers.

Product characteristics

- Phase cut-on dimming principle.
 - Soft locking on operation
 - Short-circuit protection through fine-wire fuse
 - Electronic over-temperature protection
 - Changeover switching possible in combination with changeover switch
-  Flickering of the connected lamps due to undershoot of the specified minimum load or through centralised pulses from the power stations. Soft humming of the device due to the radio interference suppressor. These are not device faults.

4 Operation

Switch light

- Press the control button.

Adjust the brightness

Light is switched on.

- Turn the control button in the clockwise direction.
The light gets brighter up to maximum brightness.
- Turn the control button in the anti-clockwise direction.
Light gets darker to minimum brightness.

5 Information for electrically skilled persons

5.1 Fitting and electrical connection



DANGER!

Electrical shock when live parts are touched.

Electrical shocks can be fatal.

Before carrying out work on the device or load, disengage all the corresponding circuit breakers. Cover up live parts in the working environment.

Connecting and mounting the dimmer

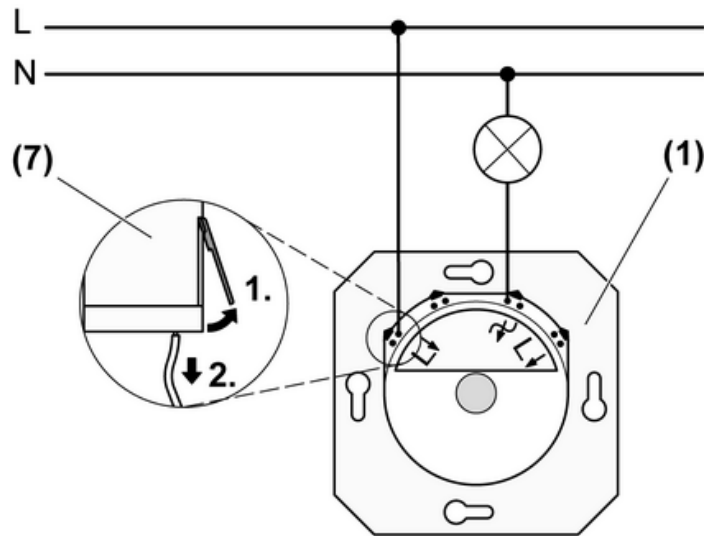


Figure 2: Connection diagram

- (1) Dimmer
- (7) Pull the connecting cable out of the push terminal.
 - Remove approx. 15 mm of insulation from the connecting cables.
 - Connect the dimmer according to the connection diagram (Figure 2).
 - Mount the dimmer in the accessory socket.
 - Mount the frame and the central plate.
 - Attach the control button.

Connection in changeover switch

- i** No changeover switch possible with two dimmers.

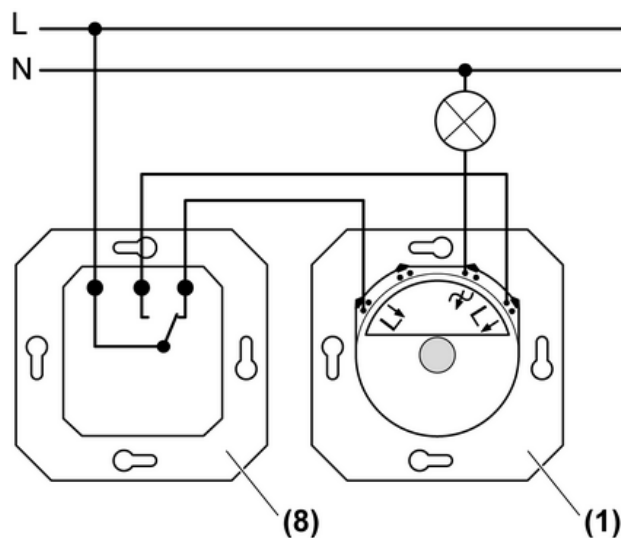


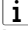
Figure 3: Changeover switch

- (1) Dimmer
- (8) Changeover switch

- Connect the dimmer and the changeover switch according to the connection diagram (Figure 3).

6 Appendix

6.1 Technical data

Rated voltage	AC 230 / 240 V ~
Mains frequency	50 Hz
Ambient temperature	+5 ... +25 °C
Connected load at 25 °C	
 Power specifications including transformer power dissipation.	
Incandescent lamps	
Order-No. 0301 30	60 ... 450 W
Order-No. 0302 00	60 ... 600 W
HV halogen lamps	
Order-No. 0301 30	60 ... 450 W
Order-No. 0302 00	60 ... 600 W
Power reduction when surface-mounted	
Order-No. 0301 30	60 ... 450 W
Order-No. 0302 00	60 ... 550 W
per 5°C in excess of 25°C	-10 %
when installed in wooden or dry construction walls	-15 %
when installed in multiple combinations	-20 %
Connection	
Single stranded	1.0 ... 2.5 mm ²
Stripping length	15 mm
Power boosters	none
Fine-wire fuse	D 2.5 H 250



The symbols used to label the dimmer load shows the load type that can be connected to a dimmer and the electric behaviour of a load: R = ohmic

6.2 Troubleshooting

The device switches the load off and only on again after some time.

- Overheating protection has tripped.
 - Reduce the connected load.
 - Check the installation situation.

The device switches the load off and cannot be switched on again.

- Short-circuit protection has tripped.
 - Eliminate short-circuit.
 - Replace the fine-wire fuse, replacement fuse in the fuse holder. Use only original fuses.

6.3 Warranty

The warranty is provided in accordance with statutory requirements via the specialist trade. Please submit or send faulty devices postage paid together with an error description to your responsible salesperson (specialist trade/installation company/electrical specialist trade). They will forward the devices to the Gira Service Center.

Gira
Giersiepen GmbH & Co. KG
Elektro-Installations-
Systeme

Industriegebiet Mermbach
Dahlienstraße
42477 Radevormwald

Postfach 12 20
42461 Radevormwald

Deutschland

Tel +49(0)21 95 - 602-0
Fax +49(0)21 95 - 602-399

www.gira.de
info@gira.de