

Residual current device 30 mA

Order no.: 0114 xx

Operating description

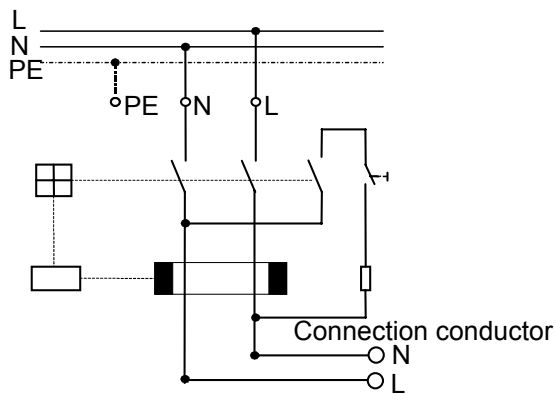
The switch with an earth leakage circuit breaker works in the same way as a DIN Rail switch with a leakage circuit breaker. In a fault-free installation, in which no current is leaking to earth, the currents flowing to and back from cancel each other out in the core balance transformer and no tripping occurs.

However, should a partial current leak to earth due to a fault, the current flowing back from the load will be

lower than that flowing to it. This difference in current will trip the leakage current device within a maximum of 30 ms.

All equipment and cables connected to the wires from the switch with circuit breaker are protected against current leakage. However, this protection does not apply to the electrical equipment before the switch.

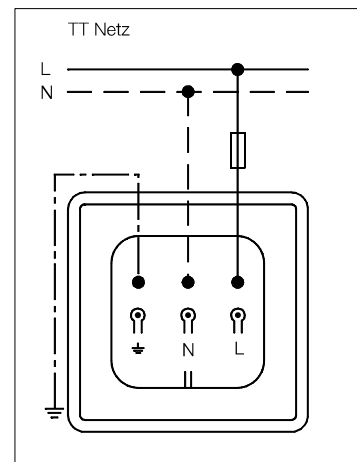
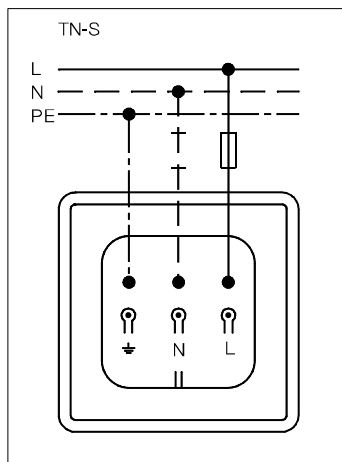
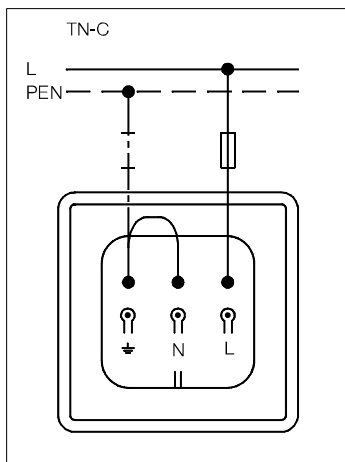
Circuit diagram



Note!

The protective measures of VDE 0100 must be observed when using the residual current device.

Connection diagram



Installation

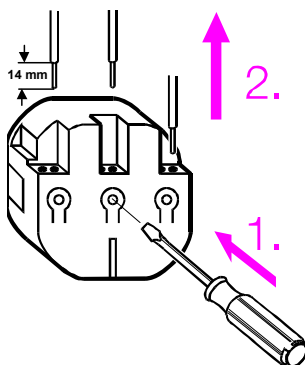


Note!

The installation and assembly of electrical equipment may only be performed by a qualified electrician.

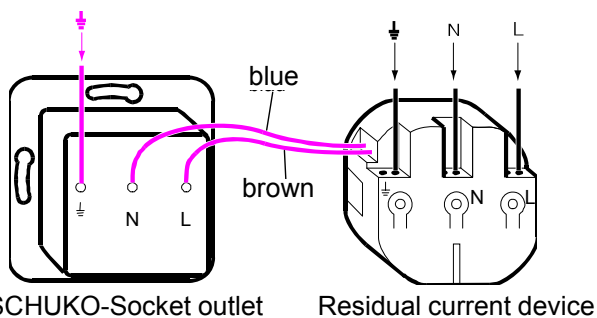
The residual current device is mounted in a commercially-available sunken patress box with screws.

Push-in terminals



Press the lug to release the connecting leads.

Connection conductor



Sealed contact socket outlets, which are then protected against leakage current, can be attached to FI-protected connection conductor.

Operating test

The operation of the residual current device must be tested after installation. When the residual current device is live and switched on („I“) it must trip when the test button („Test“) is pressed. This test should be carried out at least once per month, to guarantee perfect operation of the residual current device in the case of a fault. The residual current device must also be tested for perfect operation with a suitable test unit.

Equipment which trips the residual current device during operation is faulty and must be inspected / repaired by an electrician.

The residual current device itself must not be repaired.

Testing the protective provisions

Apart from operation, the effectiveness of the protective measure under the valid installation rules must be checked. The highest permissible earthing resistances are as follows for protection from indirect contact:

Highest permissible touch potential	Highest permissible earthing resistance at rated fault current 30 mA
25 V	833 Ω
50 V	1.666 Ω

Technical data

Rated voltage: 230 V / 50 Hz
Rated current: 16 A
Rated fault current: 30 mA
Conductor size: 1,5 - 2,5 mm²
VDE test under: DIN VDE 0664
Ambient temperature: - 25 °C ... + 40 °C

Acceptance of guarantee

We accept the guarantee in accordance with the corresponding legal provisions.

Please return the unit postage paid to our central service department giving a brief description of the fault:

Gira
Giersiepen GmbH & Co. KG
Service Center
Dahlienstrasse 12
D-42477 Radevormwald



The CE sign is a free trade sign addressed exclusively to the authorities and does not include any warranty of any properties.

Gira
Giersiepen GmbH & Co. KG
Postfach 1220
D-42461 Radevormwald

Telefon: +49 / 21 95 / 602 - 0
Telefax: +49 / 21 95 / 602 - 339
Internet: www.gira.de